

SO2450TE/S/T



FEATURES

The elegant, modern aesthetics pair perfectly with 24" Wolf cooking products as well as a full suite of similarly styled Sub-Zero and Cove appliances.

A sleek 8" full-color LCD touchscreen adds refinement to the oven's style

Save up to 50 personalized favorite recipe presets.

Cooking modes include Convection, Convection Humid, Convection Bake, Bake, Bake Humid, Slow Cook, Broil, Convection Broil, Slow Roast, Warm, Gourmet, and Gourmet+. Also includes Clean Mode with Light, Medium, and Heavy soil settings.

1750-Watt recessed broil element.

The 24" oven offers 1.8 cubic-foot interior

Inside, three full-extension rack positions and one standard position allow easy access and increased cooking flexibility.

New controls offer language translations for: English, Spanish, French, Italian, German, Dutch and Chinese.

The temperature probe alerts you when your dish has reached the desired temperature.

ACCESSORIES

Broil Rack

Porcelain Steam Enameled Broil Pan

Pro Handle

Solid Pan - 12 3/4" x 1 1/2" x 7"

Solid Pan - 17 3/4" x 1 1/4" x 15"

Temperature Probe

Accessories available through an authorized dealer.

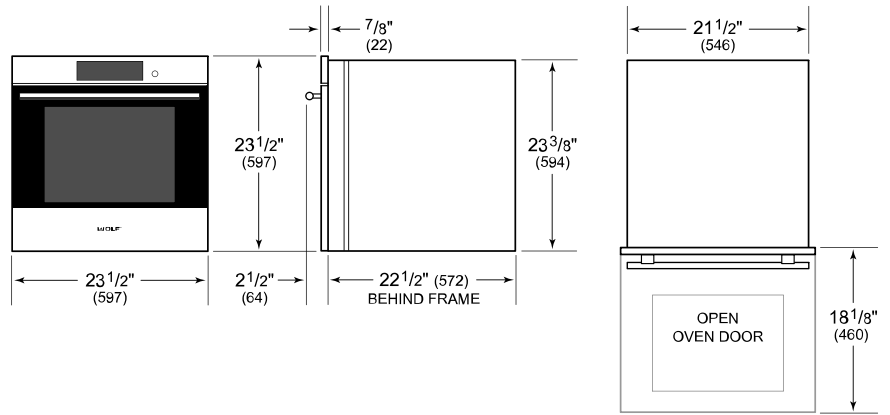
For local dealer information, visit subzero-wolf.com/locator.



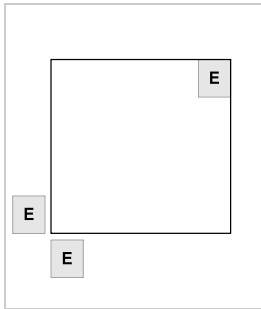
PRODUCT SPECIFICATIONS

Model	SO2450TE/S/T
Dimensions	23 1/2"W x 23 1/2"H x 22 1/2"D
Oven 1 Interior Dimensions	18"W x 15 1/2"H x 15 1/8"D
Overall Capacity	2.4 cu. ft.
Usable Capacity	1.8 cu. ft.
Door Clearance	18 1/8"
Weight	119 lbs
Electrical Supply	240/208 VAC, 60 Hz
Electrical Service	20 amp dedicated circuit
Conduit Length	4 Feet

DIMENSIONS

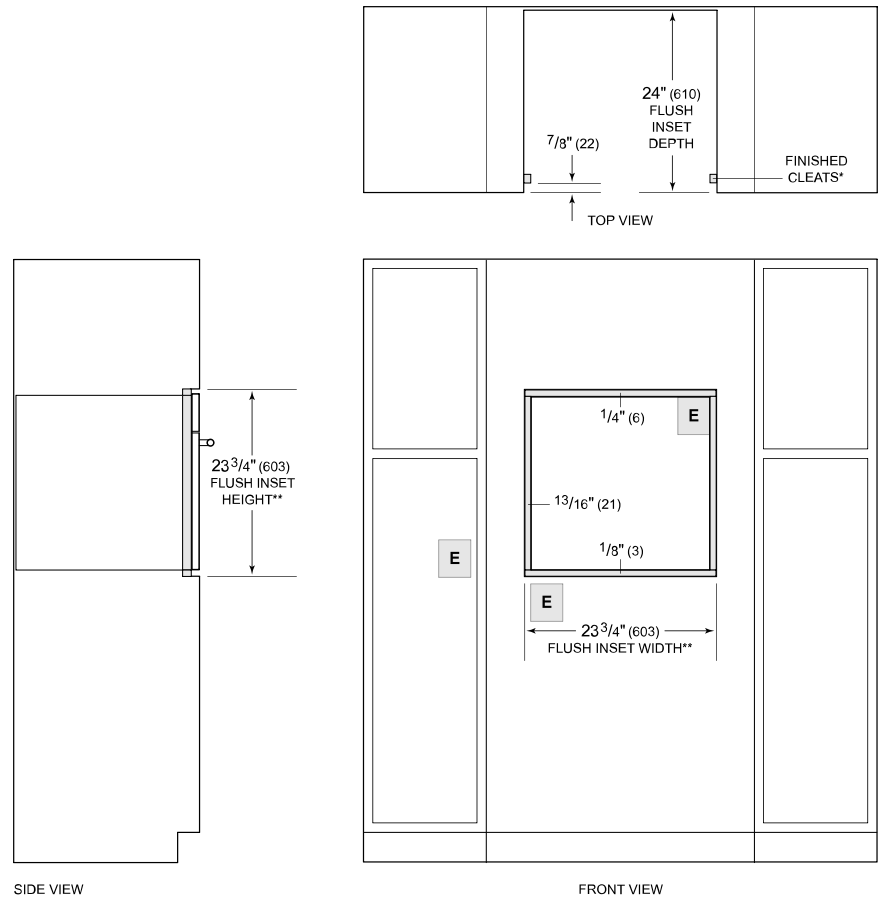


ELECTRICAL



NOTE: Dimensions in parenthesis are in millimeters unless otherwise specified

FLUSH INSTALLATION



*Will be visible and should be finished to match cabinetry.

**Dimension provides minimum reveals.

NOTE: Location of electrical supply within opening may require additional cabinet depth.