

MONOGRAM 36" FREE-STANDING FRENCH-DOOR BOTTOM-FREEZER REFRIGERATOR

ZWE23ESHSS



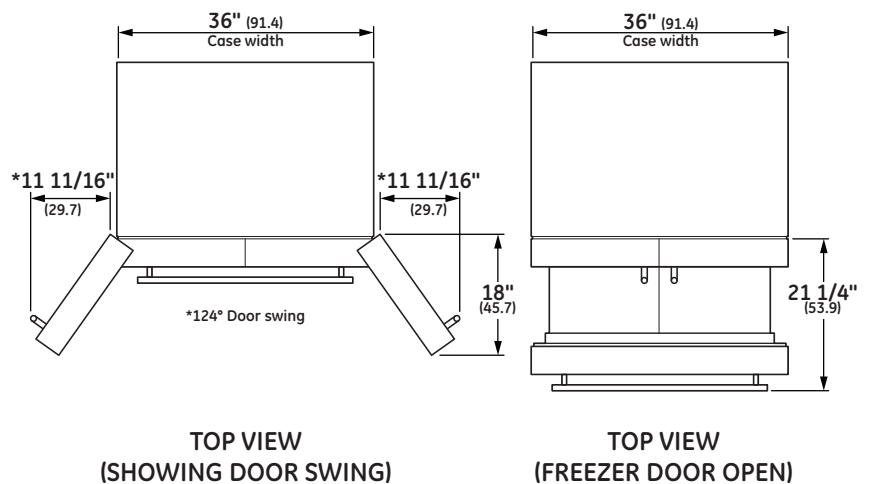
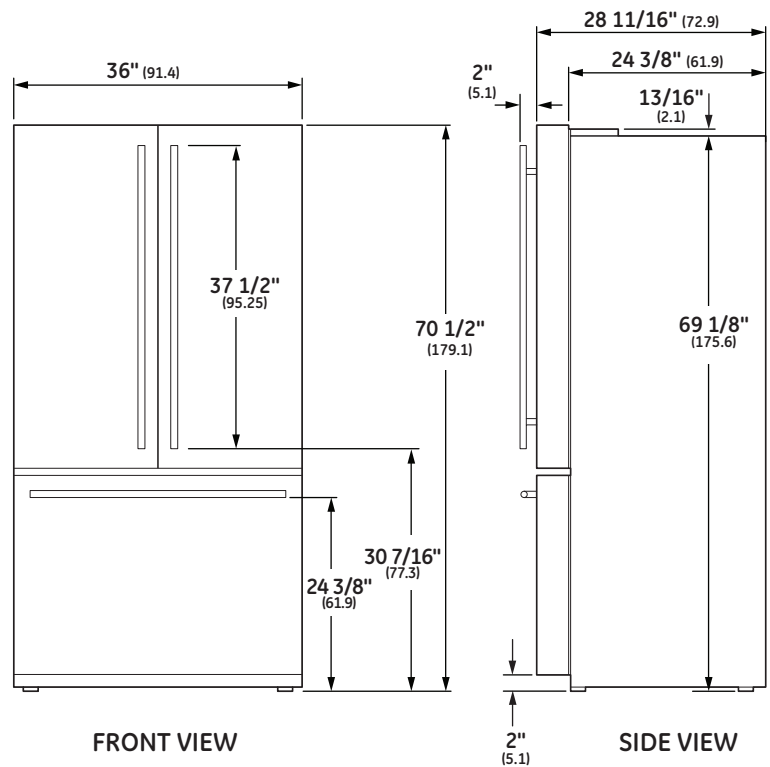
SPECIFICATIONS

| | |
|-----------------------|--|
| Overall Width | 36" (91.4 cm) |
| Overall Height | 70 1/2" (179.1 cm) |
| Overall Depth | 30 11/16" (76.2 cm) |
| Door Clearance | 21 1/4" (54 cm) |
| Cutout Width | 36 1/4" (92.1 cm) |
| Cutout Height | 71" (180.3 cm) |
| Cutout Depth | 26 3/8" (67 cm) |
| Plumbing Requirements | 1/4" OD copper tubing or GE SmartConnect kit |
| Shipping Weight | 400 lb (181.4 kg) |

ATTENTION ELECTRICIAN:

A 115 volt 60Hz., 15 or 20 amp power supply is required. An individual properly grounded branch circuit or circuit breaker is recommended. Install a properly grounded 3-prong electrical receptacle recessed into the back wall.

OVERALL DIMENSIONS



Dimensions in parentheses are in centimeters unless otherwise noted. Actual product dimension may vary due to manufacturing tolerances.

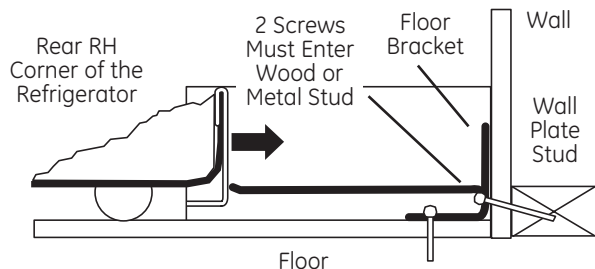
MONOGRAM

MONOGRAM 36" FREE-STANDING FRENCH-DOOR BOTTOM-FREEZER REFRIGERATOR

ZWE23ESHSS

ANTI-TIP BRACKET INSTALLATION

A Attachment to Wall and Floor



AIR GAP INSTALLATION DIMENSIONS

| | |
|-----------|--------------|
| Each Side | 1/8" (.3 cm) |
| Top | 1" (2.5 cm) |
| Back | 2" (5.1 cm) |

NOTES

⚠ The refrigerator is top heavy and must be secured to prevent the possibility of tilting forward.

WARNING:
WOOD Wall and Floor Construction:

- Drill the appropriate number of 1/8" (3 mm) pilot holes in the center of each floor bracket hole being used (a nail or awl may be used if a drill is not available) AND remove the locator template from the floor.
- Mount the anti-tip floor bracket by fastening the 2, or recommended 4, #10-16 hex-head screws tightly into place as illustrated in figure 3.

MONOGRAM 36" FREE-STANDING FRENCH-DOOR BOTTOM-FREEZER REFRIGERATOR

ZWE23ESHSS

FEATURES AND BENEFITS

TWINCHILL™ EVAPORATORS

Separate climates in the fresh food and freezer sections help keep foods fresh

SHOWCASE LED LIGHTING

Positioned throughout the interior and under fresh food doors to spotlight foods inside the refrigerator and in the freezer

FULL-WIDTH ELECTRONIC TEMPERATURE-CONTROLLED DRAWER WITH LED LIGHTS

3 accurate settings deliver the optimal temperatures for keeping foods fresh

DROP-DOWN TRAY

Allows for extra door storage when you need it and tucks away when you don't

QUICK SPACE SHELF

Functions as a normal full-sized shelf when needed and easily slides down for instant storage flexibility

ADVANCED WATER FILTRATION USES RPWF REPLACEMENT FILTER

Reduces trace pharmaceuticals from water and ice* (*Removes 98% of ibuprofen, atenolol, fluoxetine, progesterone and trimethoprim. These pharmaceuticals are not necessarily in all users' water)



70 to 90% U.S. content. Product content details at GEAppliances.com/USA



MONOGRAM