



SPECIFICATIONS

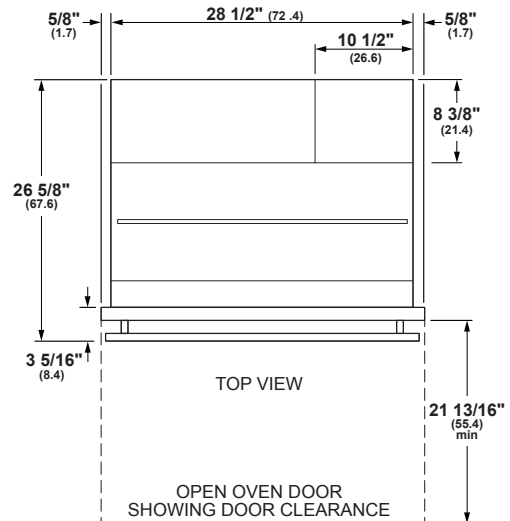
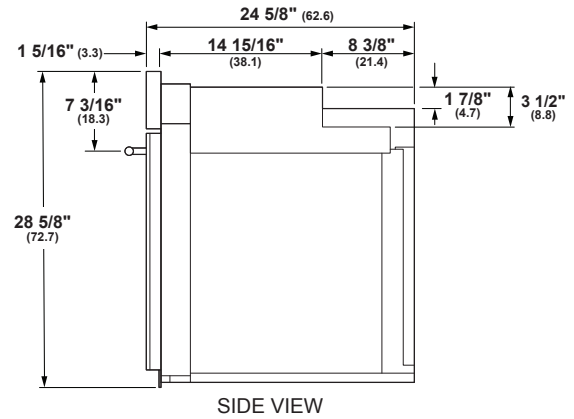
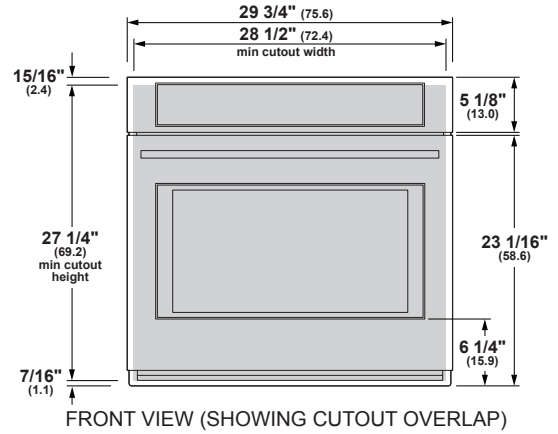
Overall Width	29 3/4" (75.6 cm)
Overall Height	28 5/8" (72.7 cm)
Overall Depth Including Handle	26 5/8" (67.6 cm)
Oven Door Clearance	21 13/16" (55.4 cm)
Overall Oven Interior Capacity	5.0 cu. ft. (141.6 liters)
Oven Interior Dimensions (W x H x D)	25" x 17 3/8" x 20 1/4" (63.5 x 44.1 x 51.4 cm)
Minimum Cabinet Width*	30" (76.2 cm)
Minimum Cabinet Depth*	24" (61.0 cm)
Minimum Base Support	220 lbs. (99 kg)
Cutout Width*	28 1/2" (72.4 cm) Min 28 5/8" (72.7 cm) Max
Cutout Height*	27 1/4" (69.2 cm) Min 27 5/16" (69.4 cm) Max
Cutout Depth*	23 1/2" (59.7 cm) Min
Volts/Hertz/Amps	240/208 V AC, 60 Hz, 20A
Conduit Length	40" (72" available special order: WB18T10398)
Electrical Rating	3.4 kW at 208V 4.5 kW at 240V
Shipping Weight	184 lbs. (84 kg)

* Additional space will be needed for flush installation.

ATTENTION ELECTRICIAN:

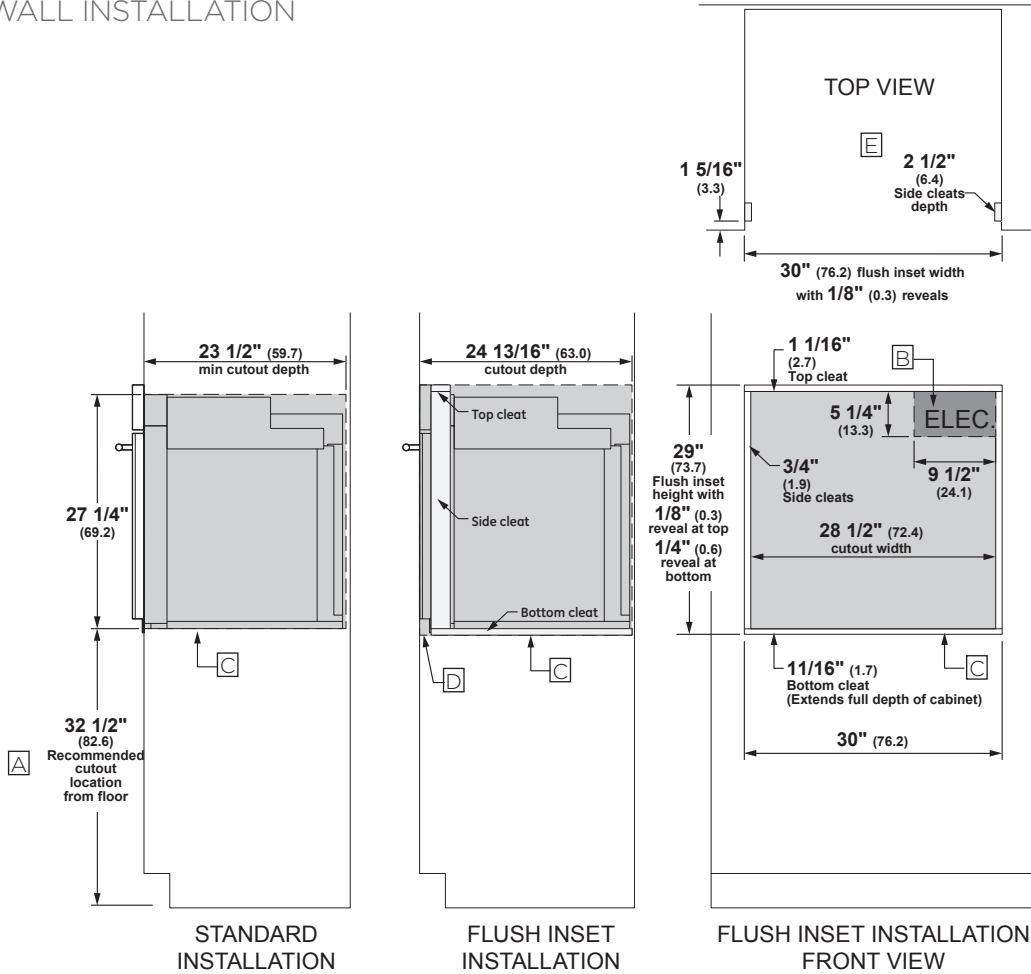
A 240/208V, 60Hz, 20 Amp circuit is required. An individual properly grounded branch circuit or circuit breaker is required. Hardware junction box is required for built-in product.

OVERALL DIMENSIONS



Dimensions in parentheses are in centimeters unless otherwise noted. Actual product dimensions may vary due to manufacturing tolerances.

WALL INSTALLATION

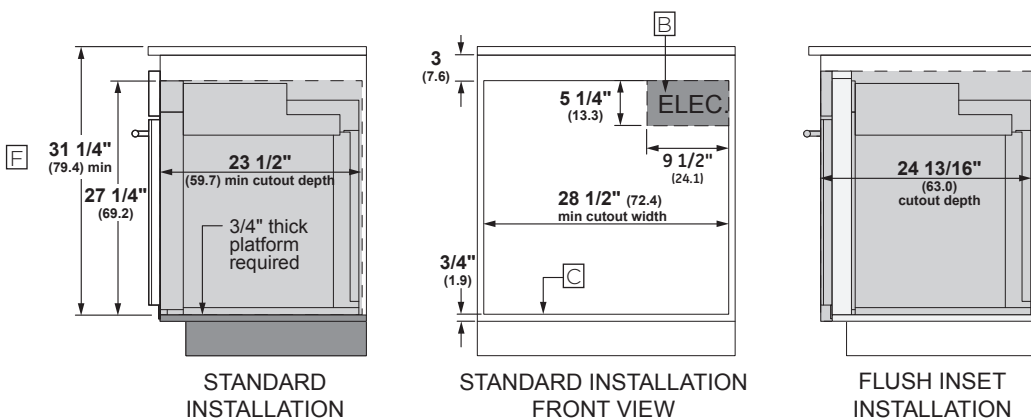


Allow 1/8" (0.3 cm) clearances from side edges of oven door.

NOTES

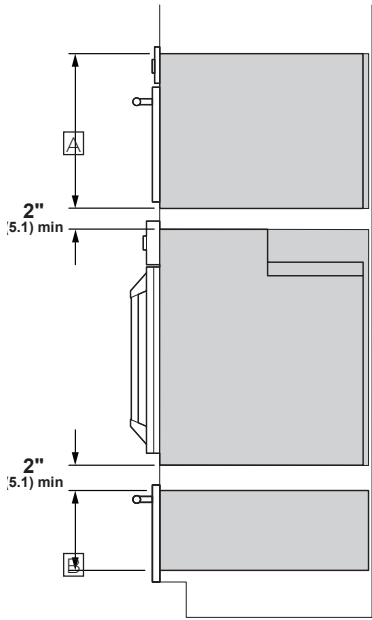
- Ⓐ Based on a user height of 5' 6" to 5' 10"
- Ⓑ Junction box location (May also be located in adjacent cabinet.)
- Ⓒ Platform must be able to support 220 lbs (99 kg)
- Ⓓ Cabinet surfaces must be an appearance finished surface for flush installation.
- Ⓔ Cleats may be visible and should be finished to match cabinetry.
- Ⓕ Minimum 31 1/4" from the top surface of the countertop to the top surface of the wall oven support platform when installed beneath a certified cooktop.

UNDERCOUNTER INSTALLATION



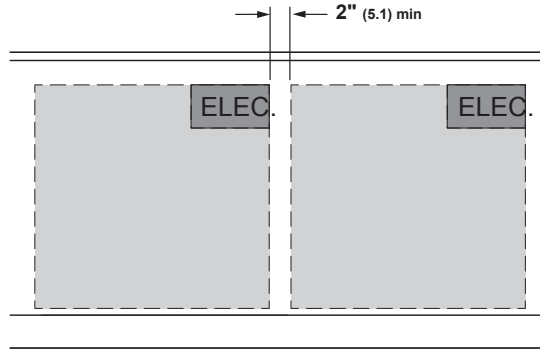
For more details, refer to the installation instructions for this product on Monogram.com. Dimensions in parentheses are in centimeters unless otherwise noted.

INSTALLATION WITH
ADVANTIUM AND WARMING
DRAWER



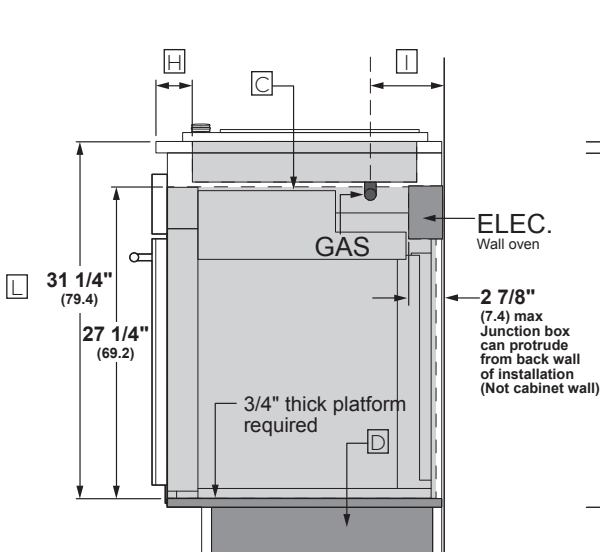
STANDARD INSTALLATION
SIDE VIEW

SIDE BY SIDE INSTALLATION

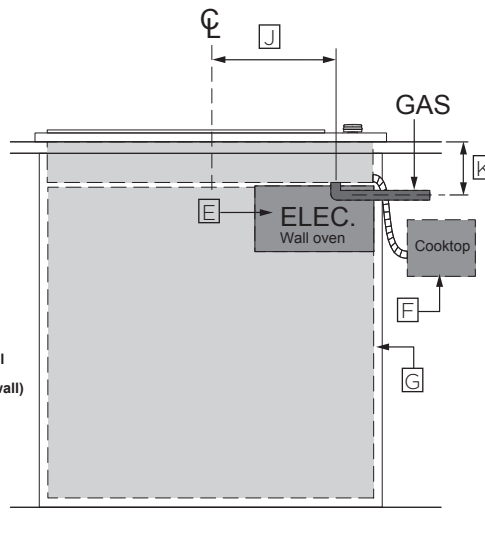


SIDE BY SIDE INSTALLATION
FRONT VIEW OF CUTOUTS

UNDER COOKTOP INSTALLATION



STANDARD INSTALLATION
SIDE VIEW



FRONT VIEW

NOTES

- A Dimensions per Advantium or Microwave Oven requirements
- B Dimension per Warming Drawer requirements
- C Note this oven is only approved to be installed under specific models as labeled on this unit.
- D Support platform made of 3/4" (1.9 cm) wood is required. Must be capable of supporting 220 lbs (99 kg). Support Platform base to be same height as toe kick.
- E Junction box location for wall oven. (May also be located in adjacent cabinet).
- F Gas regulator and electric connections for cooktops must be located in an adjacent accessible location to the right
- G Top and/or side fillers may be necessary if unit is positioned between existing cabinets. Be sure they are attached securely, since they will anchor the oven in the cabinet.
- H For flush oven installations, the cooktop cutout must be set back 2 1/2" (6.4 cm) plus the cleat setback.
- I Dimension varies based on model.
example:
ZGU385 5 1/2" (14.0 cm) (from wall)
ZGU384 4 5/16" (11.0 cm) (from wall)
- J Dimension varies based on model.
example:
ZGU385 0" (centerline)
ZGU384 12 1/16" (30.6 cm) (centerline)
- K Dimension varies based on model ZGU385: 5 1/2" (13.9) requires use of a 90° 1/2" FPT x 1/2" FL brass street elbow ZGU384: 5" (12.7)
- L From the top surface of the countertop to the top surface of the wall oven support platform

For more details, refer to the installation instructions for this product on Monogram.com. Dimensions in parentheses are in centimeters unless otherwise noted.



FEATURES AND BENEFITS

GLASS TOUCH CONTROLS

Allow you to adjust oven settings with little effort

TRUE EUROPEAN CONVECTION WITH DIRECT AIR

Channels heated air from the top of the oven and circulates it around food on all sides for perfectly uniform baking and roasting

5.0 CU. FT. CAPACITY

Accommodates even the largest meals

TEN-PASS BAKE ELEMENT

Covers more surface area for more even baking results

THEATRE-STYLE HALOGEN OVEN LIGHTING

Illuminates the oven and gradually increases intensity to make it easy to see cooking progress

NOTIFICATION LIGHTING

Allows you to check cooking status with a quick glance

SELF-CLEAN, HEAVY-DUTY ROLLER RACK

Glides open smoothly to simplify loading and unloading

SELF-CLEAN WITH STEAM CLEAN OPTION

Gives you flexible options for thorough oven cleaning

TEN-PASS, DUAL BROIL ELEMENT

Evenly browns dishes of all types and sizes

WIFI CONNECT

Allows you to control oven functions from anywhere inside or even outside your home, using your smartphone or other web-enabled mobile device

BLACK INTERIOR

Offers a stylish complement to the sophisticated exterior design



70 to 90% U.S. content. Product content details at GEAppliances.com/USA