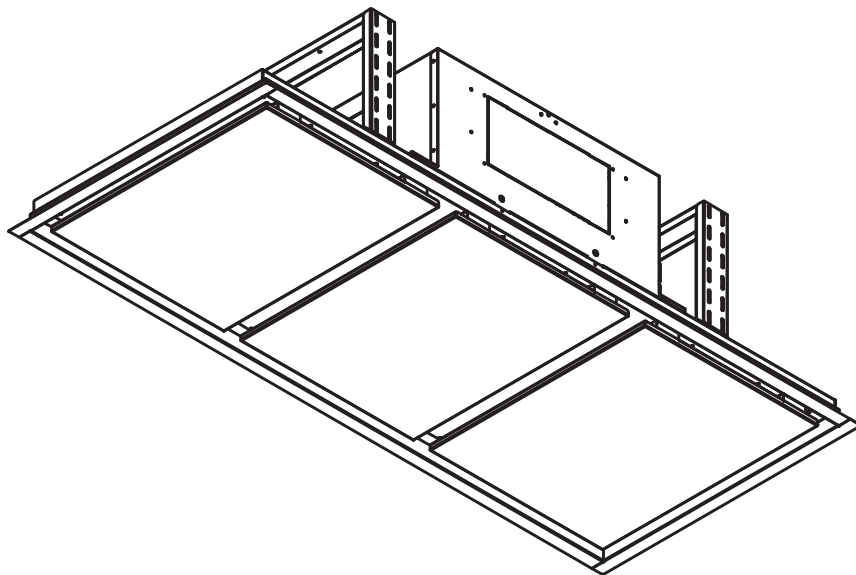
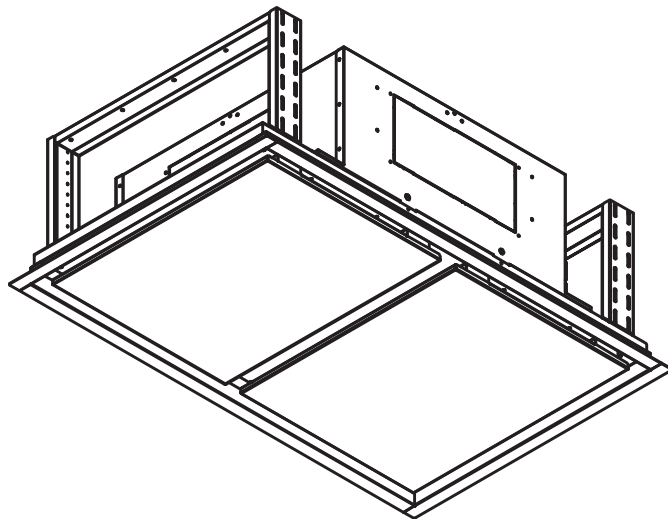


Lux

ALU-E43CSX, ALU-E43CWX,
ALU-E63CSX, ALU-E63CWX

EN Use, Care, and Installation Guide

FR Guide d'utilisation, d'entretien et d'installation



	Page
Safety Information	4-6
Types of Safety Warnings.....	4
General Safety.....	4-5
Operation.....	6
Electrical Requirements	6
Federal Communication Commission Interface Statement.....	6
List of Materials.....	7
Installation Instructions.....	8-20
Ducting Calculation Sheet.....	8
Mounting Height, Clearance, & Ducting	9
Ducting Options	10
Hood Specifications.....	11
Electrical Supply.....	12
Cable Lock	12
Ceiling Opening Preparation.....	13
Hood Support Preparation.....	14
Hood Preparation	15
Blower Installation	16
Internal Blower Wire Connections	17
Remote Blower Wire Connections	18
Mounting the Hood.....	19
Ductless Recirculation	20
Recirculating Kit Installation	20
Features & Controls.....	21-26
Laminated Touch Controls.....	21-22
Zephyr Connect	23-24
RF Remote Control	25-26
Maintenance	27-28
Hood & Grease Filter Cleaning	27-28
Wiring Diagram.....	29-30
Troubleshooting.....	31-33
List of Parts & Accessories.....	34
Limited Warranty	35
Product Registration.....	36

Safety Information

READ AND SAVE THESE INSTRUCTIONS

Your safety and the safety of others are very important.
We have provided many important safety messages in this manual for your appliance. Always read and obey all safety messages.



This is the Safety Alert Symbol. This symbol alerts you to potential hazards that can cause severe bodily injury or death. All safety messages will follow the Safety Alert Symbol and either the words “DANGER” “WARNING” or “CAUTION”



General Safety



WARNING - TO REDUCE THE RISK OF FIRE, ELECTRIC SHOCK, OR INJURY TO PERSONS, OBSERVE THE FOLLOWING:

- Use this unit only in the manner intended by the manufacturer. If you have questions, contact the manufacturer.
- Before servicing or cleaning unit, switch power off at service panel and lock the service disconnecting means to prevent power from being switched on accidentally. When the service disconnecting means cannot be locked, securely fasten a prominent warning device, such as a tag, to the service panel.



WARNING - TO REDUCE THE RISK OF A RANGE TOP GREASE FIRE:

- Never leave surface units unattended at high settings. Boilovers cause smoking and greasy spillovers that may ignite. Heat oils slowly on low or medium settings.
- Always turn insert ON when cooking at high heat or when flambeing food. (i.e. Crepes Suzette, Cherries Jubilee, Peppercorn Beef Flambe’).
- Clean ventilating fans frequently. Grease should not be allowed to accumulate on fan or filter.
- Use proper pan size. Always use cookware appropriate for the size of the surface element.

READ AND SAVE THESE INSTRUCTIONS



WARNING - TO REDUCE THE RISK OF INJURY TO PERSONS IN THE EVENT OF A RANGE TOP GREASE FIRE, OBSERVE THE FOLLOWING^a:

- a) SMOTHER FLAMES with a close-fitting lid, cookie sheet, or metal tray, then turn off the burner. BE CAREFUL TO PREVENT BURNS. If the flames do not go out immediately, EVACUATE AND CALL THE FIRE DEPARTMENT.
- b) NEVER PICK UP A FLAMING PAN – You may be burned.
- c) DO NOT USE WATER, including wet dishcloths or towels – a violent steam explosion will result.
- d) Use an extinguisher ONLY if:
 - 1) You know you have a Class ABC extinguisher, and you already know how to operate it.
 - 2) The fire is small and contained in the area where it started.
 - 3) The fire department is being called.
 - 4) You can fight the fire with your back to an exit

^aBased on “Kitchen Firesafety Tips” published by NFPA.



WARNING - TO REDUCE THE RISK OF FIRE, ELECTRIC SHOCK, OR INJURY TO PERSONS, OBSERVE THE FOLLOWING:

- a) Installation work and electrical wiring must be done by qualified person(s) in accordance with all applicable codes and standards, including fire-rated construction.
- b) Sufficient air is needed for proper combustion and exhausting of gases through the flue (chimney) of fuel burning equipment to prevent back drafting. Follow the heating equipment manufacturer’s guideline and safety standards such as those published by the National Fire Protection Association (NFPA), and the American Society for Heating, Refrigeration and Air Conditioning Engineers (ASHRAE), and the local code authorities.
- c) When cutting or drilling into wall or ceiling, do not damage electrical wiring and other hidden utilities.
- d) Ducted fans must always be vented to the outdoors.
- e) If this unit is to be installed over a tub or shower, it must be marked as appropriate for the application and be connected to a GFCI (Ground Fault Circuit Interrupter) - protected branch circuit.



Safety Information

READ AND SAVE THESE INSTRUCTIONS

Operation

- ▶ Always leave safety grilles and filters in place. Without these components, operating blowers could catch onto hair, fingers and loose clothing.
- ▶ The manufacturer declines all responsibility in the event of failure to observe the instructions given here for installation, maintenance and suitable use of the product. The manufacturer further declines all responsibility for injury due to negligence and the warranty of the unit automatically expires due to improper maintenance.

NOTE: Please check www.zephyronline.com for revisions before doing any custom work.

Electrical Requirements

Important:

- ▶ Observe all governing codes and ordinances.
- ▶ It is the customer's responsibility to be aware of these below:
- ▶ To contact a qualified electrical installer.
- ▶ To assure that the electrical installation is adequate and in conformance with National Electrical Code, ANSI/NFPA 70 latest edition* or CSA standards C22.1-94, Canadian Electrical Code, Part 1 and C22.2 No.0-M91 - latest edition** and all local codes and ordinances.
- ▶ If codes permit and a separate ground wire is used, it is recommended that a qualified electrician determine that the ground path is adequate.
- ▶ Do not ground to a gas pipe.
- ▶ Check with a qualified electrician if you are not sure the insert is properly grounded.
- ▶ Do not have a fuse in the neutral or ground circuit.
- ▶ This appliance requires a 120V 60Hz electrical supply and connected to an individual properly grounded branch circuit protected by a 15 or 20 ampere circuit breaker or time delay fuse. Wiring must be 2 wire with ground. Please also refer to Electrical Diagram on product.
- ▶ A cable locking connector (not supplied) might also be required by local codes. Check with local requirements, purchase and install appropriate connector if necessary.

* National Fire Protection Association Batterymarch Park, Quincy, Massachusetts 02269

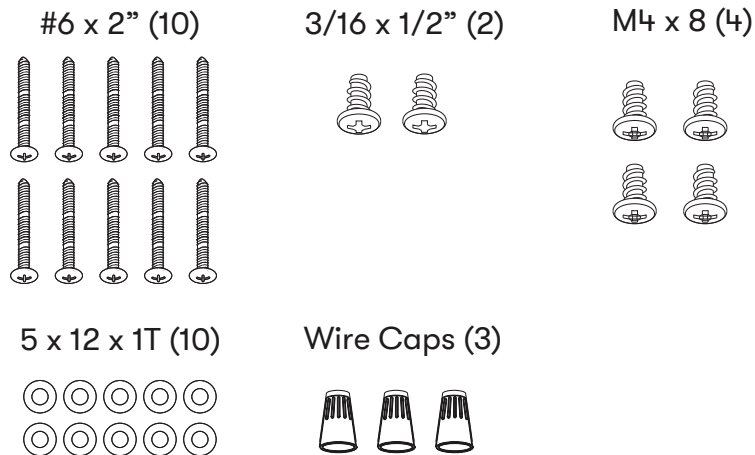
** CSA International 8501 East Pleasant Valley Road, Cleveland, Ohio 44131-5575

Federal Communication Commission Interface Statement

- ▶ This equipment has been tested and found to comply with the limits for a Class B digital device, pursuant to Part 15 of the FCC Rules. These limits are designed to provide reasonable protection against harmful interference in a residential installation.
- ▶ This equipment generates, uses and can radiate radio frequency energy and, if not installed and used in accordance with the instructions, may cause harmful interference to radio communications. However, there is no guarantee that interference will not occur in a particular installation. If this equipment does cause harmful interference to radio or television reception, which can be determined by turning the equipment off and on, the user is encouraged to try to correct the interference by one of the following measures:
- ▶ Reorient or relocate the receiving antenna.
- ▶ Increase the separation between the equipment and receiver.
- ▶ Connect the equipment into an outlet on a circuit different from that to which the receiver is connected.
- ▶ Consult the dealer or an experienced radio/TV technician for help.

Parts Supplied

Quantity	Part
1	Hood body
4	Aluminum mesh filters (43" model)
6	Aluminum mesh filters (63" model)
3	LED light strips (43" model)
4	LED light strips (63" model)
1	Single internal blower bracket
2	Support frame arms
1	Remote blower wiring harness
1	10" round duct collar
1	RF remote control
1	Hardware package


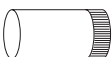
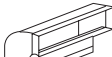


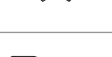





Parts Not Supplied










Ducting, conduit and all installation tools
Cable locking connector (if required by local codes)
Single internal blower (CBI-290C, CBI-600A)
Dual internal blower (PBI-1100B)
External blower (CBE-1000)
In-line blower (PBN-1000A)
Recirculating kit (ZRC-01LX)

Installation Instructions

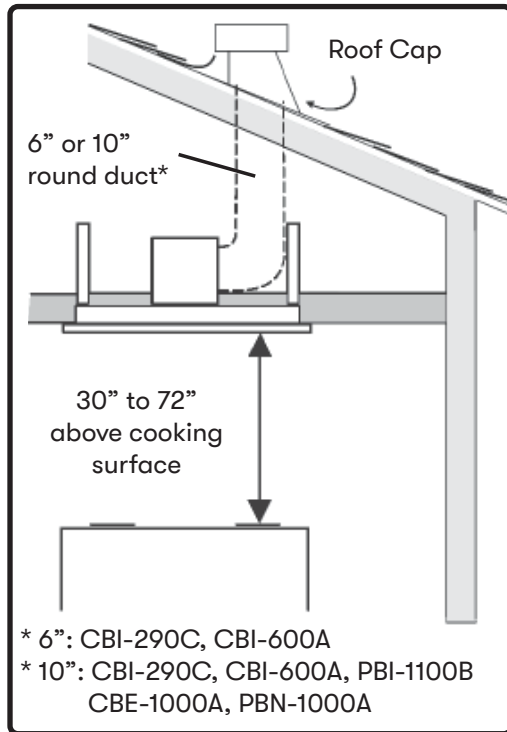
Ducting Calculation Sheet

Duct pieces	Equivalent number length x used =	Total
 3-1/4" x 10" Rect., straight	1 Ft. x () =	Ft.
 6", 7", 8", 10" Round, straight	1 Ft. x () =	Ft.
 3-1/4" x 10" Rect. 90° elbow	15 Ft. x () =	Ft.
 3-1/4" x 10" Rect. 45° elbow	9 Ft. x () =	Ft.
 3-1/4" x 10" Rect. 90° flat elbow	24 Ft. x () =	Ft.
 7" to 6" or 8" to 7" Round tapered reducer	25 Ft. x () =	Ft.
 6", 7", 8" Round in-line damper	15 Ft. x () =	Ft.
 6", 7", 8", 10" Round, 90° elbow	15 Ft. x () =	Ft.
 6", 7", 8", 10" Round, 45° elbow	9 Ft. x () =	Ft.
Subtotal column1 =		Ft.

Maximum Duct Length: For satisfactory air movement, the total duct length should not exceed 150 equivalent feet.

Duct pieces	Equivalent number length x used =	Total
 3-1/4" x 10" Rect. to 6" round transition	5 Ft. x () =	Ft.
 3-1/4" x 10" Rect. to 6" round transition 90° elbow	20 Ft. x () =	Ft.
 6" round to 3-1/4" x 10" rect. transition	1 Ft. x () =	Ft.
 6" round to 3-1/4" x 10" rect. transition 90° elbow	16 Ft. x () =	Ft.
 7" round to 3 1/4" x 10" rect. transition	8 Ft. x () =	Ft.
 7" round to 3-1/4" x 10" rect. transition 90° elbow	23 Ft. x () =	Ft.
 3-1/4" x 10" Rect. wall cap with damper	30 Ft. x () =	Ft.
 6", 7", 8", 10" Round, wall cap with damper	30 Ft. x () =	Ft.
 6", 7", 8", 10" Round roof cap	30 Ft. x () =	Ft.
Subtotal column2 =		Ft.
Subtotal column1 =		Ft.
Total ductwork =		Ft.

Mounting Height, Clearance, & Ducting



For single internal blowers (CBI-290C, CBI-600A), a minimum of 6" round duct work must be used to maintain maximum air flow efficiency. For dual internal blowers, 10" minimum round duct work must be used for dual internal blowers.

Both external (CBE-1000) and in-line (PBN-1000A) blowers require a minimum if 10" round duct work must be used to maintain maximum air flow efficiency. Other blowers cannot be substituted.

Always use rigid type metal ducts only. Flexible ducts could restrict air flow by up to 50%.

Also use calculation (on page 8) to compute total available duct run when using elbows, transitions and caps.

ALWAYS, when possible, reduce the number or transitions and turns. If long duct run is required, increase duct size.

If turns or transitions are required; install as far away from insert duct output and as far apart, between the two as possible.

Minimum mount height between range top to insert bottom should be no less than 30". Maximum mount height should be no higher than 72".

It is important to install the hood at the proper mounting height. Hoods mounted too low could result in heat damage and fire hazard; while hoods mounted too high will be hard to reach and will lose its performance and efficiency.

If available, also refer range manufacturer's height clearance requirements and recommended hood mounting height above range.

For shipment and installation damages:

- ▶ Please fully inspect unit for damage before installation.
- ▶ If the unit is damaged in shipment, return the unit to the store in which it was bought for repair or replacement.
- ▶ If the unit is damaged by the customer, repair or replacement is the responsibility of the customer.
- ▶ If the unit is damaged by the installer (if other than the customer), repair or replacement must be made by arrangement between customer and installer.

Installation Instructions

Ducting Options

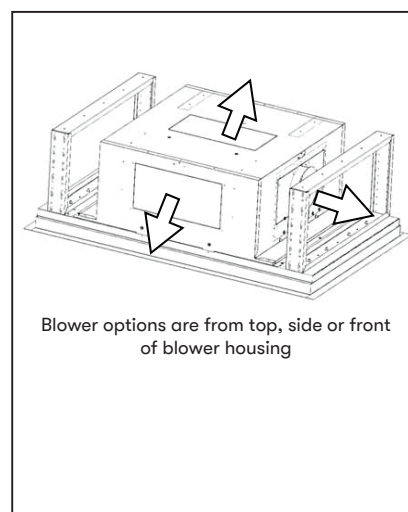
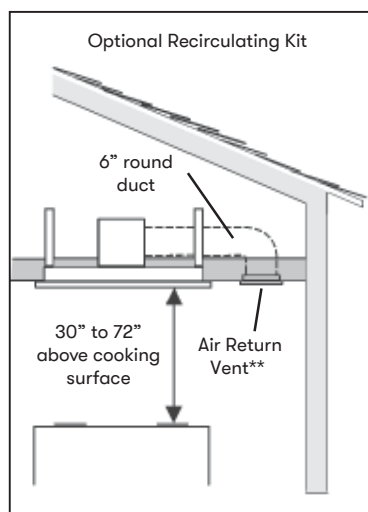
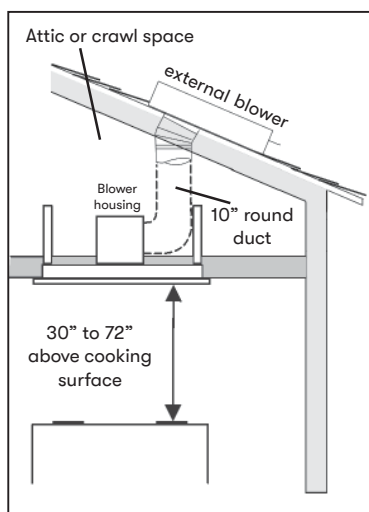
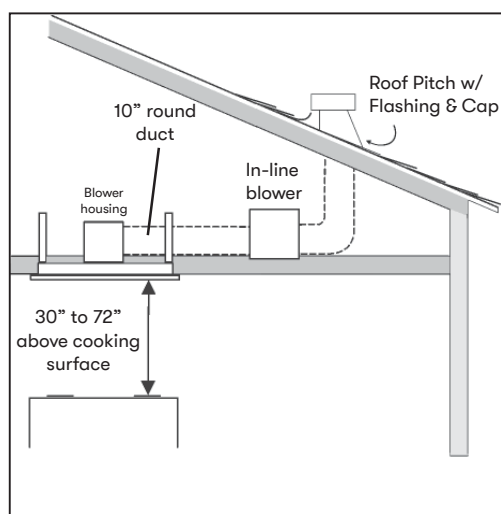
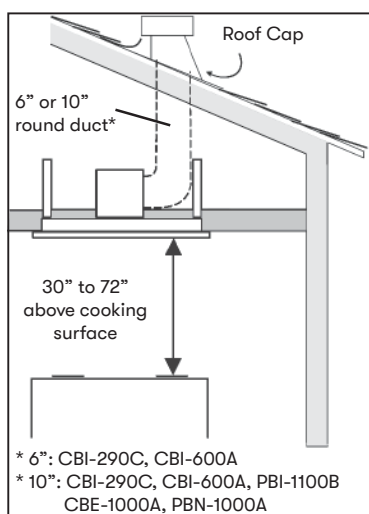


WARNING



Fire Hazard: NEVER exhaust air or terminate ductwork into spaces between walls, crawl spaces, ceilings, attics, or garages. All exhaust must be ducted to the outside, unless using the recirculating option.

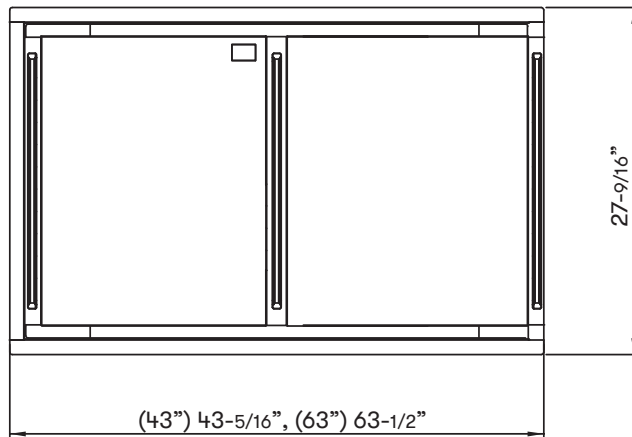
- ▶ Use single wall rigid metal ductwork only.
- ▶ Fasten all connections with sheet metal screws and tape all joints w/ certified Silver Tape or Duct Tape.



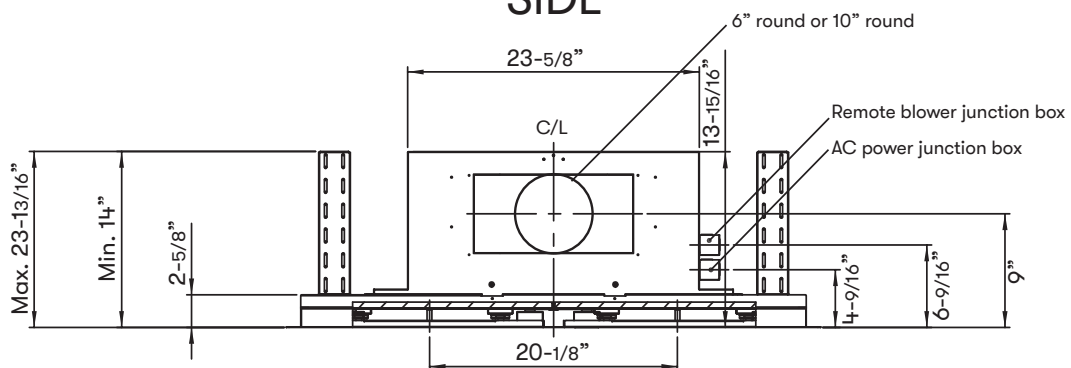
** Air return vent must be a minimum of 6 feet from hood. Recirculating kit, ZRC-01LX, is only compatible with single internal blower models, CBI-290C and CBI-600A.

Hood Specifications

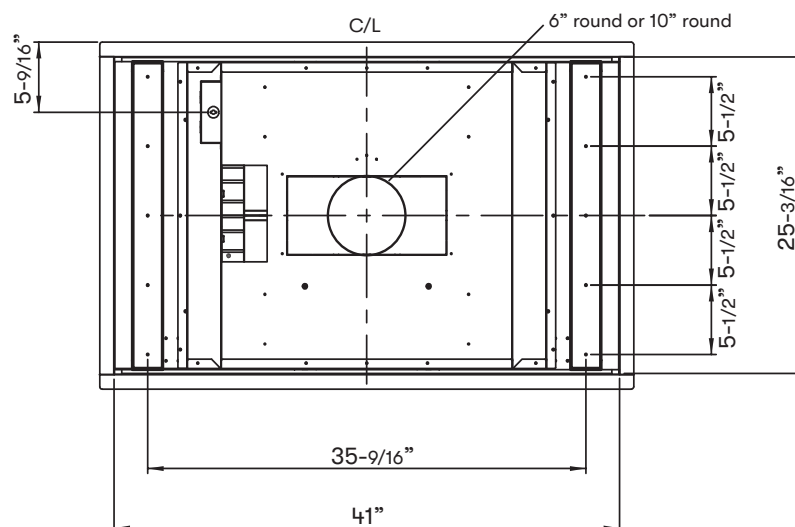
BOTTOM



SIDE

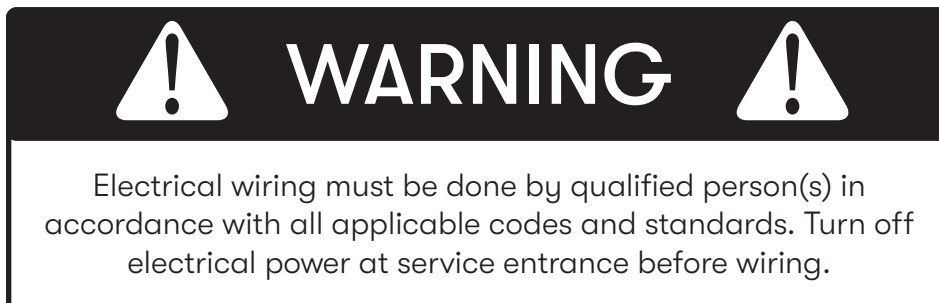


TOP



Installation Instructions

Electrical Supply



For personal safety, remove house fuse or open circuit breaker before beginning installation. Do not use extension cord or adapter plug with this appliance.

Follow national electrical codes or prevailing local codes and ordinances.

This appliance requires a 120V 60Hz electrical supply, and connected to an individual, properly grounded branch circuit, protected by a 15 or 20 ampere circuit breaker or time delay fuse. Wiring must be 2 wire w/ ground. Please also refer to the Electrical Diagram labeled on product.

Cable Lock

A cable locking connector (not supplied) might be required by local codes. Check with local requirements and codes, purchase and install appropriate connector if necessary. (FIG. A)

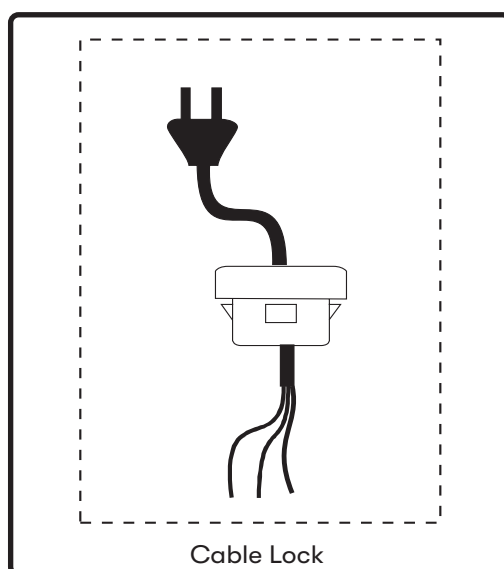


FIG. A

Ceiling Opening Preparation

1. The hood should always be centered over the cooktop. Make sure there is adequate space in the ceiling structure to install the hood and ductwork.
2. The hood should be mounted 30" to 72" above the cooktop for best removal of cooking impurities. Use joist size lumber to frame in around the range hood opening. The ceiling structure must be able to support the weight of the hood (FIG. B). ALU-E43 weighs 65 pounds and ALU-E63 weighs 85 pounds.
3. For non-ducted version, refer to FIG. C. Make a cut-out in the ceiling for the air return vent.

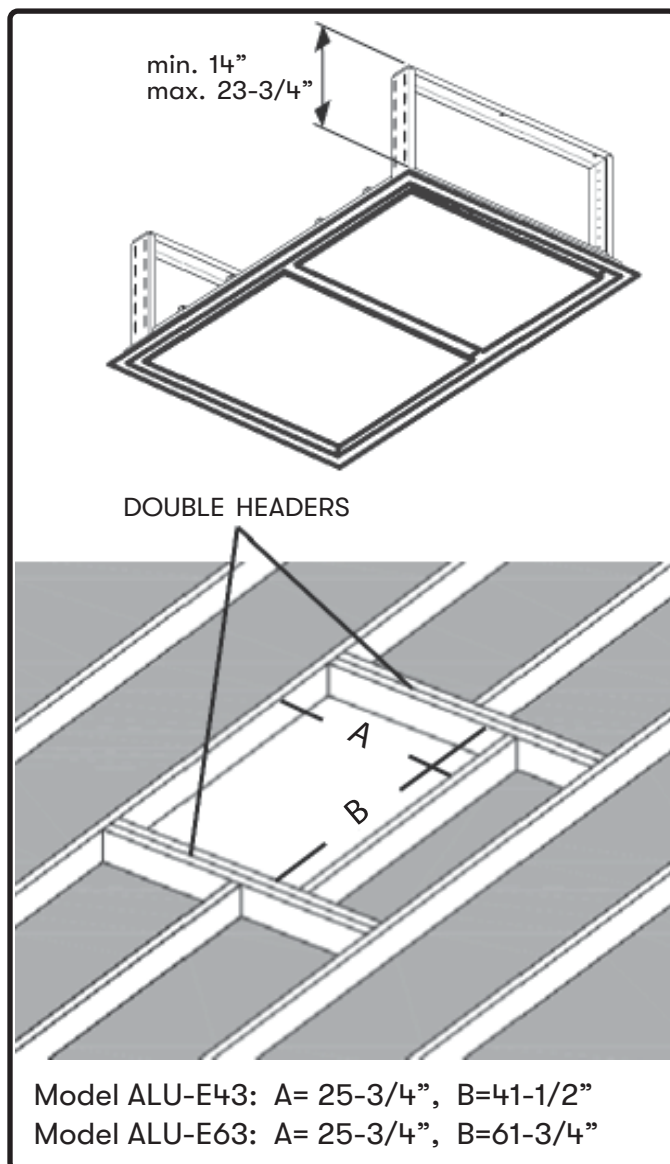


FIG. B

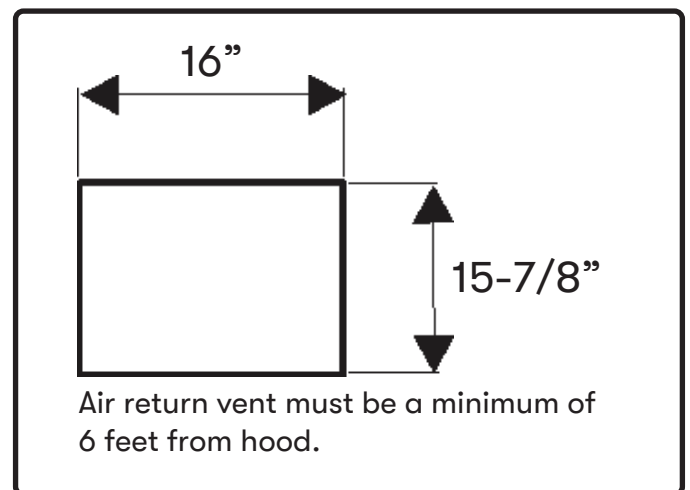


FIG. C

Installation Instructions

Hood Support Preparation

1. Construct a wood framing system shown in FIG. D and FIG. E. The structure must be capable of supporting its own weight, plus the weight of the hood. ALU-E43 weighs 65 pounds and ALU-E63 weighs 85 pounds.

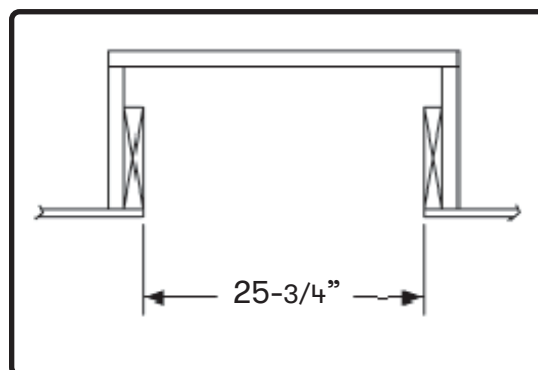
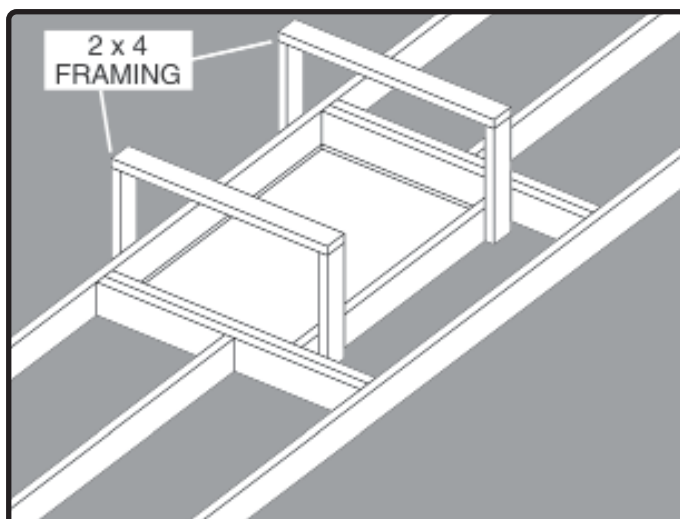


FIG. E

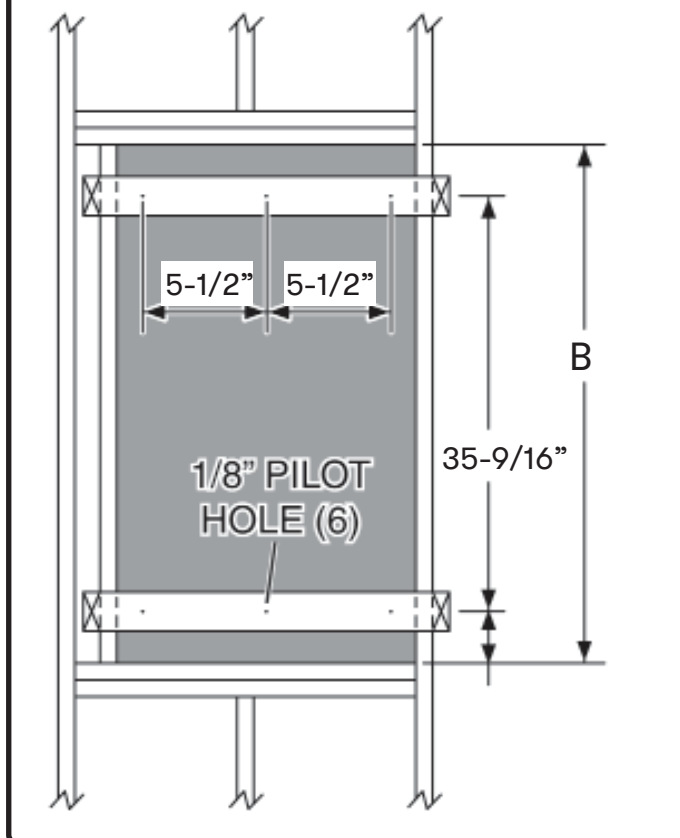


FIG. D

Hood Preparation

1. Push in lock tab behind center of perimeter panel to open the hood, FIG. F.
2. Open the perimeter panels and remove the mesh filters, FIG. G.
3. Remove the central panels, unscrewing the 3/16 x 1/4 screws, FIG. G.
4. Remove the (2) light panels by unscrewing the 3/16 x 1/4 screws (ALU-E43 model only), FIG. H.

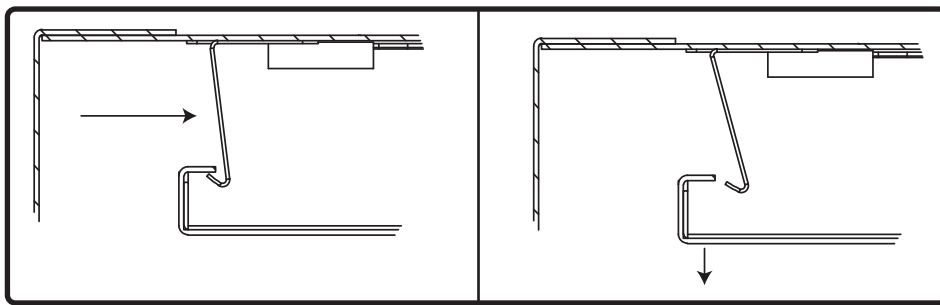


FIG. F

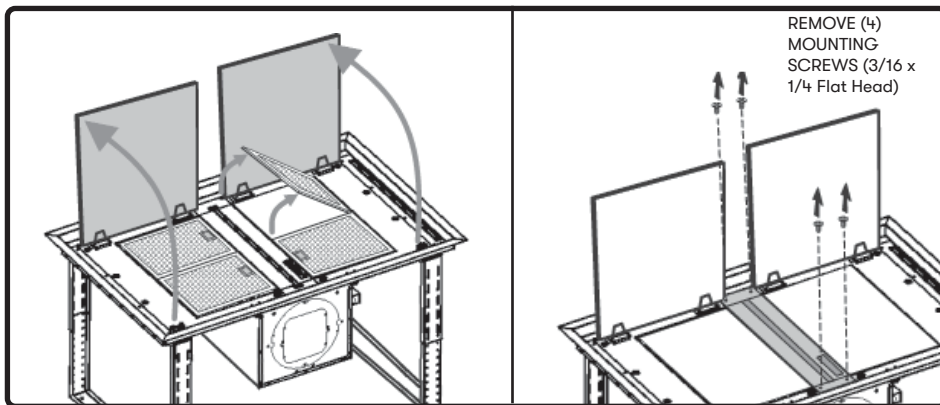


FIG. G

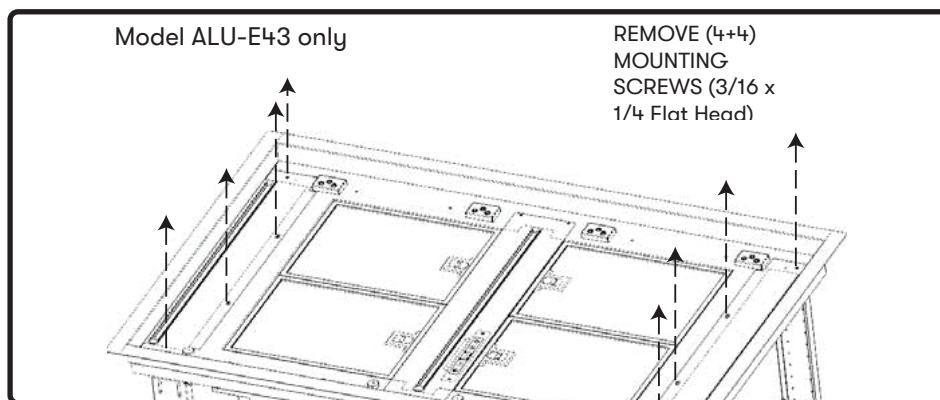


FIG. H

Installation Instructions

Blower Installation

Internal Blowers (CBI-290C, CBI-600A, or PBI-1100B)

1. Choose blower ducting outlet. Duct options are from top, side, or front. Refer to page 10 for more details.
2. Remove knockout plate for only one chosen duct outlet position.
3. Attach internal blower plate to blower by (4) M4 x 16 screws provided with internal blower, FIG. I.
4. Install internal blower with blower plate into hood body. Bottom of blower plate hooks into body tabs. Top of blower plate attaches by (2) 3/16 x 1/2" screws, FIG. J.

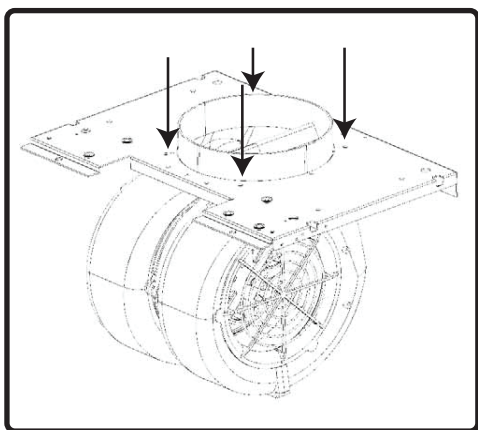


FIG. I

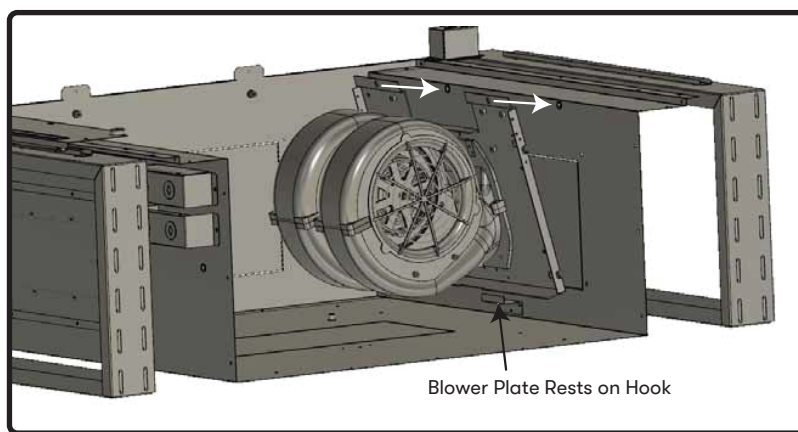


FIG. J

External and In-Line Blowers (CBE-1000 or PBN-1000A)

1. Choose blower ducting outlet. Duct options are from top, side, or front. Refer to page 10 for more details.
2. Remove knockout plate for only one chosen duct outlet position.
3. Attach 10" round duct collar to desired outlet position, FIG. K.

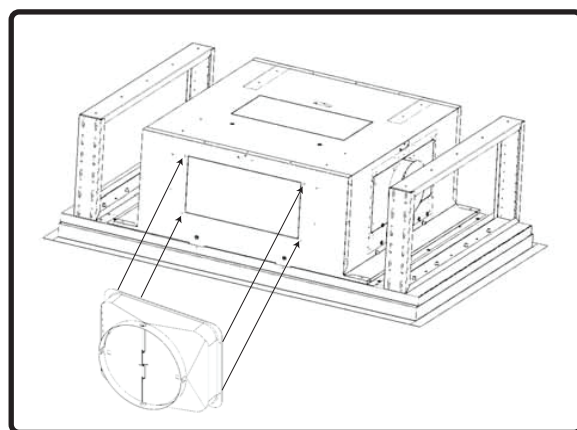


FIG. K

Internal Blower Wire Connections

NOTE: This range hood must be properly grounded. This unit should be installed by a qualified electrician in accordance with all applicable national and local electrical codes.

Internal Blowers (CBI-290C and CBI-600A)

1. Mount capacitor box to hood body by (2) M4 x 8mm screws from blower hardware package.
2. Connect 6 pin female end from PCB box to 6 pin male end of capacitor box wiring, FIG. L1.
3. Connect 9 pin male end from CBI blower to 9 pin female end of capacitor box wiring, FIG. L2.
4. Connect green ground wire from capacitor box wiring to hood body by (1) 3/16 x 3/8 screw pre-installed inside hood body, FIG. L3.

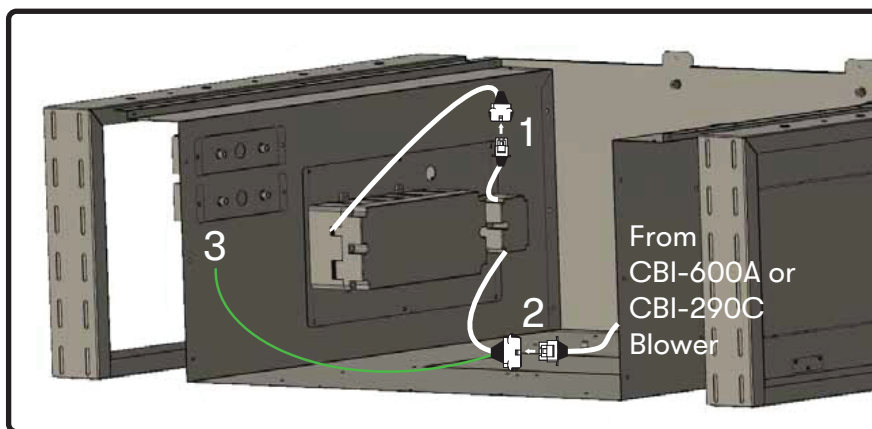


FIG. L

Internal Blowers (PBI-1100B)

1. Connect 6 pin female end from PCB box to 6 pin male end from PBI-1100B blower wiring, FIG. M.

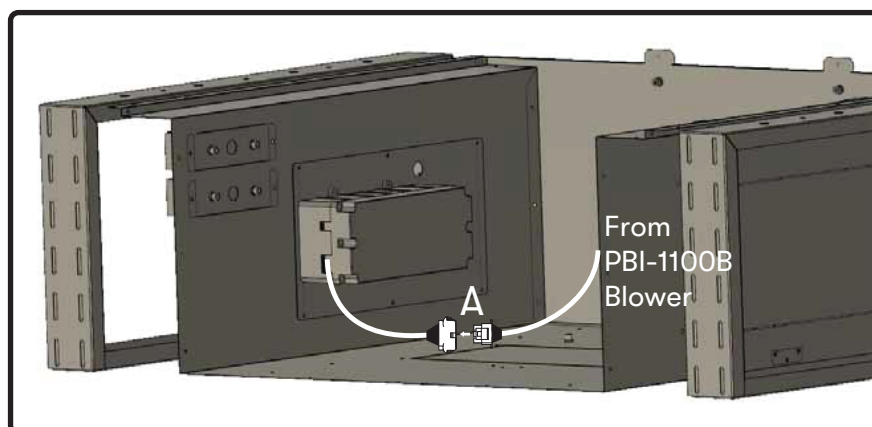


FIG. M

Installation Instructions

Remote Blower Wire Connections

Remote Blowers (CBE-1000 and PBN-1000A)

1. Connect 6 pin remote blower cable to 6 pin moxex plug from internal component box inside range hood, FIG. N.
2. Run 5 wire power with ground cable from remote blower to the remote blower wiring box, FIG. O.
3. Connect the 5 wire power with ground cable to the remote blower cable wires, FIG. P.
4. Connect the 5 wire power with ground cable to the remote blower (see instructions provided with remote blower for further information).

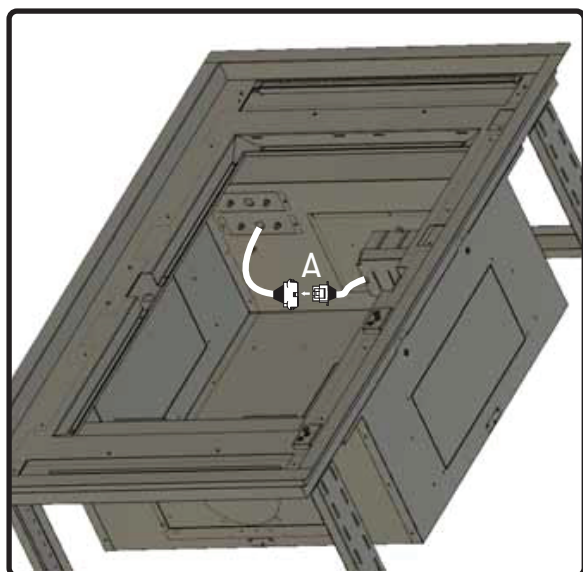


FIG. N

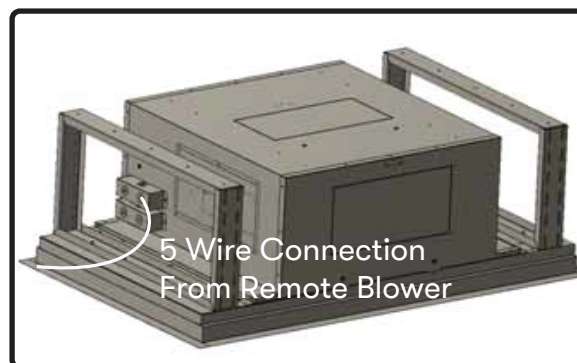


FIG. O

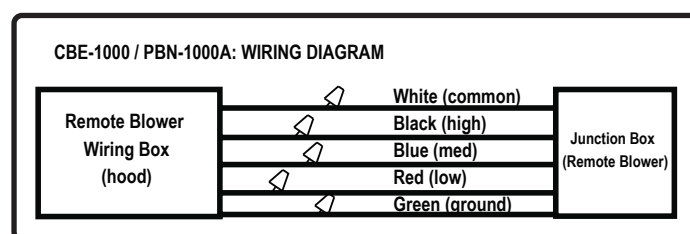


FIG. P

Mounting the Hood



1. Lift range hood into the ceiling opening.
2. Secure each support frame to the wooden hood support frame using the provided (6 to 10) #6 x 2" screws, FIG. Q.
3. Adjust the height of the telescoping support frame to ensure a tight fit between the hood and finishing ceiling.
4. Connect ductwork; duct tape all joints to ensure an airtight seal.
5. Remove a knockout from the wiring box input, FIG. R.
6. Secure the conduit to the wiring box through a conduit connector.
7. Make electrical connections. Connect white to white, black to black, and green to ground.
8. Fix wiring box cover and screws (FIG. R), and make sure the wires are not pinched between cover and box.

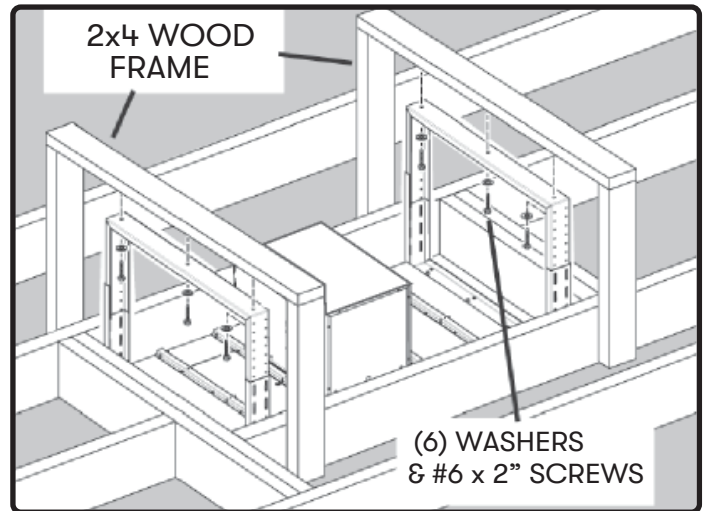


FIG. Q

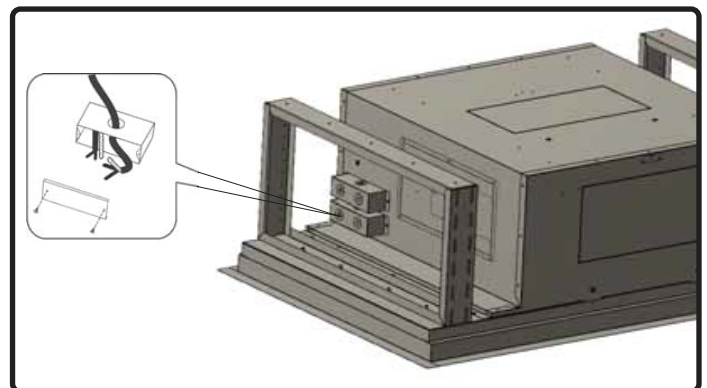


FIG. R

Installation Instructions

Ductless Recirculation

Ductless recirculation is intended for applications where an exhaust duct work is not possible to be installed. When converted, the hood functions as a recirculating hood rather than an exhaust hood. Fumes and exhaust from cooking are drawn and filtered by a set of optional charcoal filters. The air is then purified and re-circulated back within the home.

We recommend to ALWAYS exhaust air outside of the home by employing existing or installing new duct work, if possible. The hood is most effective and efficient as an exhaust hood. Only when the exhaust option is not possible should you recourse to converting the hood into a recirculating hood.

When converted to be a recirculating hood, a set of charcoal filters are required on top of its standard grease filter set. Order according to its part number below. The standard mesh filters are intended to capture residue from cooking, and the optional charcoal filters help to purify fumes exhausted from cooking for recirculation.

Recirculating Kit Installation (required if no ducting is used)

The recirculating kit is only compatible with CBI-290C and CBI-600A single internal blowers. Kit includes the charcoal filters and the air diverter plate.

Hood Model	Part Number	Filters in Package
ALU	ZRC-01LX	1

1. Install the air return vent to the ceiling by (4) M4 x 31 screws, FIG. S.
2. Additional ceiling framing may be required around air diverter to hold the weight of the vent. Refer to FIG. T, if needed.
3. Install charcoal filter behind air diverter plate. Install air diverter plate.

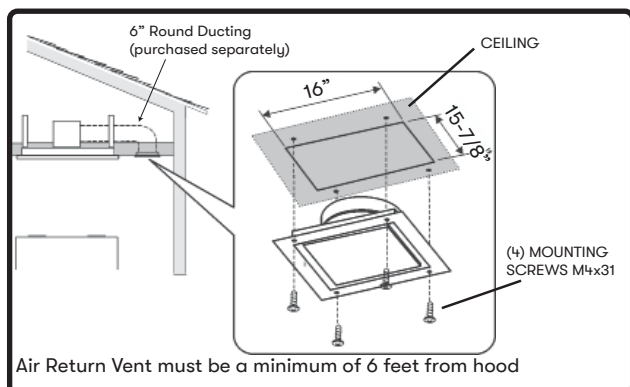


FIG. S

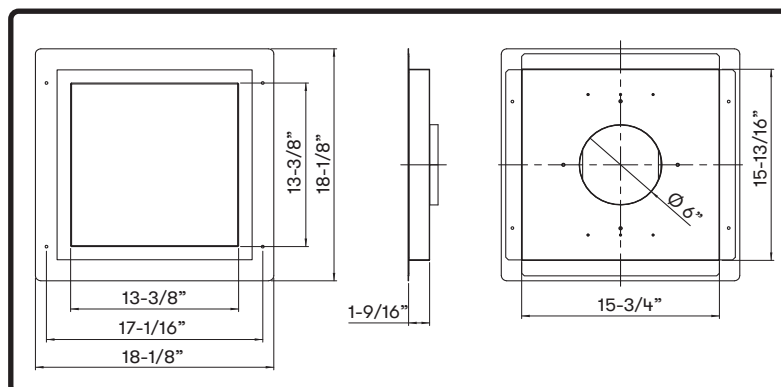
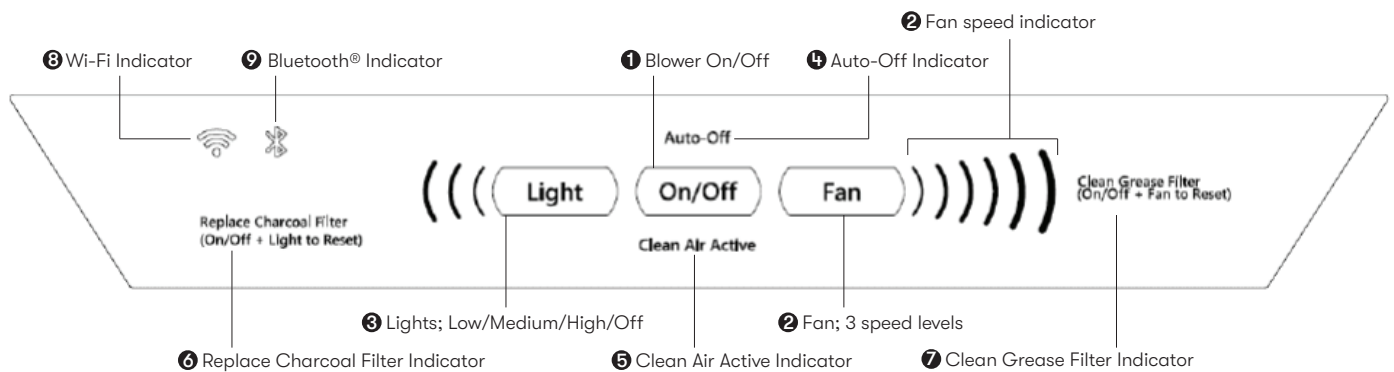


FIG. T

Laminated Touch Controls



1. Blower On/Off

- ▶ By pressing On/Off, the blower is switched on and off. When switched on, the blower starts up on speed level 1.

2. Fan Speed Selection

- ▶ Pressing Fan cycles through the fan speeds from 1 to 2, 3 and off. The current speed level will be indicated by the lit graphics.

3. Lights; Off/Low/Medium/High

- ▶ Pressing Light cycles through the light levels from 1 to 2, 3, and off. The current light level will be indicated by the lit graphics.

4. Auto Delay Off

- ▶ This feature is used for programmed shutdown of the blower 10 minutes after the function is activated. The fan speed level will change to 1, and the Auto-Off graphic will illuminate. Press and hold On/Off for 3 seconds while the fan and/or lights are on to enable auto delay off. The blower will completely shut down after 10 minutes. The Zephyr Connect app provides the options for either 5 or 10 minutes.

5. Clean Air Active

- ▶ When activated, it turns the hood on fan speed level 1 for 10 minutes every 4 hours and will be shown by the indicator lighting up and fan speed level 1 slowly pulsing. To enable Clean Air Active, press and hold Light and Fan for 3 seconds while the hood is off.

Features & Controls

Laminated Touch Controls

6. Recirculating Mode Reminder - Replace Charcoal Filter

- ▶ If this feature is enabled, after 200 hours of fan use, the indicator will illuminate. All of the LED light strips will slowly flash on and off as a reminder to replace the charcoal filter.
- ▶ Press and hold On/Off, Light, and Fan for 3 seconds while the hood is off to enable this feature. Press and hold On/Off and Light for 3 seconds while the hood is off to reset the reminder.

7. Clean Grease Filter

- ▶ After 120 hours of fan use, the Clean Grease Filter indicator will illuminate. The outer LED light strips will slowly flash on and off as a reminder to clean the grease filters.
- ▶ To reset the reminder, press and hold On/Off and Fan for 3 seconds while the hood is off.

8. Wi-Fi

- ▶ The Wi-Fi icon will illuminate for 30 seconds when the hood successfully connects or re-connects to a network.
- ▶ When the hood fan or lights are powered on, the Wi-Fi icon will illuminate to indicate the connection status. If it is not illuminated, it means the hood is not connected to the internet.

9. Bluetooth®

- ▶ The Bluetooth® icon will illuminate when connected to the hood via Bluetooth®. To enable Bluetooth® pairing mode, press and hold Fan for 3 seconds when the fan and lights are off.

10. Remote Control Pairing Mode

- ▶ Press and hold Light for 3 seconds when the fan and lights are off to put the hood into remote control pairing mode. Indicators will slowly blink while in pairing mode until the remote synchronizes.

Zephyr Connect

Your range hood is compatible with our Zephyr Connect app. All you need is a WiFi connection with access to the Internet that can reach the location of your range hood. Zephyr Connect allows you to control your range hood from anywhere using a mobile device or your Amazon Alexa or Google Home smart speaker. Zephyr Connect also includes real time diagnostics and provides you with important product information.

The Zephyr Connect app is available on iOS devices using iOS 11.0 or later or Android devices using Android version 8 or later. Visit the Apple App Store or Google Play Store for more information.

If your range hood is not connected to WiFi, the functionality will operate similarly to a typical range hood without WiFi connectivity.

Please review the included Zephyr Connect Quick Start Guide for more information.

If you have connected your hood with either Amazon Alexa or Google Home smart speakers, you now have voice control capabilities. The list of commands for Amazon Alexa and Google Home are on the next page.

NOTE: Amazon Alexa and Google Home cannot support the voice commands in French.



Features & Controls

Zephyr Connect

Control Type	Amazon Alexa Voice Commands	Description
Power	Alexa, turn on [Hood Name]	Turn on range hood power
	Alexa, turn off [Hood Name]	Turn off range hood power
Fan	Alexa, increase [Hood Name] Fan Speed	Increase fan speed on range hood
	Alexa, decrease [Hood Name] Fan Speed	Decrease fan speed on range hood
	Alexa, set [Hood Name] Fan Speed to [1-6]	Set range hood to specific fan speed
	Alexa, set [Hood Name] Fan Speed to Maximum	Set fan speed to 6 on range hood
	Alexa, set [Hood Name] Fan Speed to Minimum	Set fan speed to 1 on range hood
Light	Alexa, turn on [Hood Name] Light	Turn on the light on range hood
	Alexa, turn off [Hood Name] Light	Turn off the light on range hood
	Alexa, increase [Hood Name] Light(s)	Increase light level on range hood
	Alexa, decrease [Hood Name] Light(s)	Decrease light level on range hood
	Alexa, set [Hood Name] Light(s) to High Alexa, set [Hood Name] Light(s) to Bright	Set light level to High on range hood
	Alexa, set [Hood Name] Light(s) to Low Alexa, set [Hood Name] Light(s) to Dim	Set light level to Low on range hood
	Alexa, set [Hood Name] Light(s) to [1-3]	Set range hood to specific light level
Delay-Off	Alexa, set delay time to 1 minute on [Hood Name] Alexa, set delay time to 2-10 minutes on [Hood Name]	Enable delay timer for 1-10 minutes. After 1-10 minutes, the hood will be power off.
	Alexa, [Start/Enable] [Hood Name] Delay Off Timer	Enable delay off timer for 10 minutes. After 10 minutes, the hood will power off.
	Alexa, [Stop/Disable] [Hood Name] Delay Off Timer	Disable delay off timer

Control Type	Google Home Voice Command	Description
Power	Hey Google, turn on [Hood Name]	Turn on range hood power
	Hey Google, turn off [Hood Name]	Turn off range hood power
Fan	Hey Google, increase [Hood Name] speed	Increase fan speed on range hood
	Hey Google, decrease [Hood Name] speed	Decrease fan speed on range hood
	Hey Google, set [Hood Name] to speed [1-6]	Set range hood to specific fan speed
	Hey Google, set [Hood Name] to maximum speed	Set fan speed to the maximum on range hood
	Hey Google, set [Hood Name] to minimum speed	Set fan speed to the minimum on range hood
Light	Hey Google, turn on [Hood Name] light(s)	Turn on the light on range hood
	Hey Google, turn off [Hood Name] light(s)	Turn off the light on range hood
	Hey Google, set [Hood Name] light(s) to High Hey Google, set [Hood Name] light(s) to Bright	Set light level to High on range hood
	Hey Google, set [Hood Name] light(s) to Low Hey Google, set [Hood Name] light(s) to Dim	Set light level to Low on range hood
	Hey Google, set [Hood Name] light(s) to 1-3	Set range hood to specific light level
	Hey Google, Run [Hood Name] for 1-10 minutes	Enable delay timer for 1-10 minutes. After 1-10 minutes, the hood will be power off.
	Hey Google, Start 1-10 minute timer on [Hood Name]	Enable delay timer for 1-10 minutes. After 1-10 minutes, the hood will be power off.
Delay-Off	Hey Google, Stop [Hood Name] timer	Disable delay timer
	Hey Google, Cancel [Hood Name] timer	Disable delay timer

RF Remote Control


To order the RF remote control, the part number is 14000005. The blue antenna wire needs to be extended for optimal signal. Unwrap the antenna wire and position it behind the duct cover. It does not need to be secured.

FCC Caution

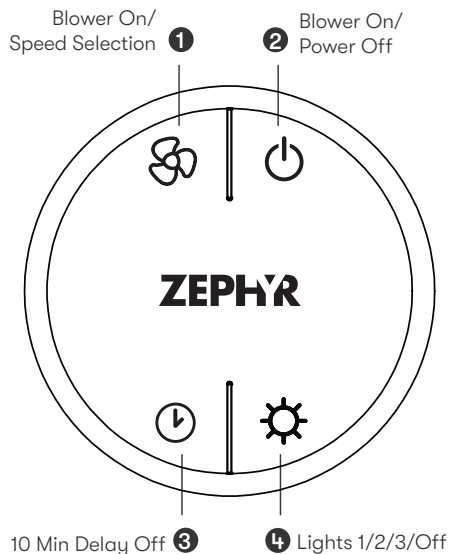
To assure continued compliance, any changes or modifications not expressly approved by the party responsible for compliance could void the user's authority to operate this equipment. (Example - use only shielded interface cables when connecting to computer or peripheral device. This device complies with Part 15 of the FCC Rules. Operation is subject to the following two conditions. (1) This device may not cause harmful interference, and (2) This device must accept any interference received, including interference that may cause undesired operation.

Synchronization


To create a unique link between your hood and remote control please follow these steps.

1. With the hood and lights off, press and hold the light button on the hood for 3 seconds until the hood light indicators start to slowly blink.
2. Press  on the remote, and the remote control will be synchronized with the hood.



RF Remote Control Functions




1 Blower On / Speed Selection

Press  to power on blower and cycle through all 3 blower speeds.

2 Blower On / Power Off

By pressing , the blowers will power on at the last speed setting. Press  again and the entire hood will power off, including lights.









3 Auto Delay Off

By pressing , the blower and lights will enter Automatic Delay Off mode. The clock icon will illuminate and the controls will illuminate "Auto-Off". The blower will change to speed 1 and a 10 minute timer will begin counting down.

4 Lights 1/2/3/Off

Switch between light levels by pressing . Turn off the lights by cycling through the different light levels.

Additional Functions

1.  +  :Reset clean grease filter reminder
2.  +  :Reset replace charcoal filter reminder
3.  +  :Enable/disable clean air mode
4.  +  :Enable/disable Bluetooth® pairing mode

Features & Controls

RF Remote Control

RF Remote Features

The RF remote control is equipped with a magnet on the back for easy storage. The remote may be placed on any magnetic surface such as a refrigerator or the Zephyr remote holder, FIG. U. The remote holder can be inserted into a standard electrical outlet for easy storage. Note: The remote holder does not charge the RF remote.

Maximum remote control communication distance is 15 feet from the hood.

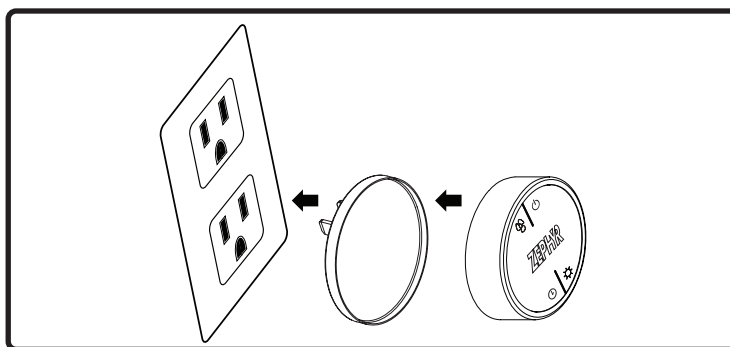


FIG. U

RF Remote Maintenance

Clean the remote control using non abrasive detergents.

Follow instructions below for replacing battery. Using a small flat head screwdriver, raise the cover of the battery door (A) in order to access the battery compartment. FIG. V.

Remove the battery and replace with battery type A23 12V. Negative end of battery should face the spring inside the remote.

Re-install battery door and recycle old battery.

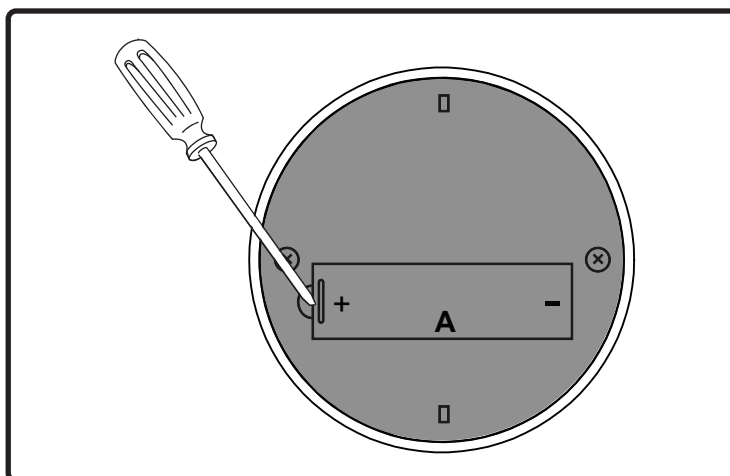


FIG. V

Hood & Grease Filter Cleaning

Surface Maintenance

- ▶ Do not use corrosive detergents, abrasive detergents or oven cleaners.
- ▶ Do not use any product containing chlorine bleach or any product containing chloride.
- ▶ Do not use steel wool or abrasive scrubbing pads which will scratch and damage surface.

Cleaning Stainless Steel

Clean periodically with warm soapy water and clean cotton cloth or micro fiber cloth. Always rub in the direction of the stainless steel grain. To remove heavier grease build up use a liquid degreaser detergent.

After cleaning use a non-abrasive stainless steel polish/cleaners, to polish and buff out the stainless luster and grain. Always scrub lightly, with clean cotton cloth or micro fiber cloth and buff in the direction of the stainless steel grain.

Cleaning the Grease Filter

The grease filter installed by the factory are intended to filter out residue and grease from cooking. They need not be replaced on a regular basis but are required to be kept clean.

Remove and clean by hand or in dishwasher using a non-phosphate detergent. Discoloration of the grease filter may occur if using phosphate detergents, or as a result of local water conditions - but this will not affect filter performance. This discoloration is not covered by the warranty. Spray degreasing detergent and leave to soak if heavily soiled.

Dry grease filter and re-install before using hood.

Maintenance

Removing and Installing the Grease Filter (FIG. W)

NOTE: Prior to use, remove the protective film from the filter frame.

1. To remove the aluminum mesh filter, pull down on latch tab to disengage the filter from hood.
2. Tilt the filter downward and remove.
1. To install the aluminum mesh filter, align rear filter tabs with slots in the hood. Pull latch tab down. Push filter into place and release tab.
2. Make sure the filter is securely engaged after installation.

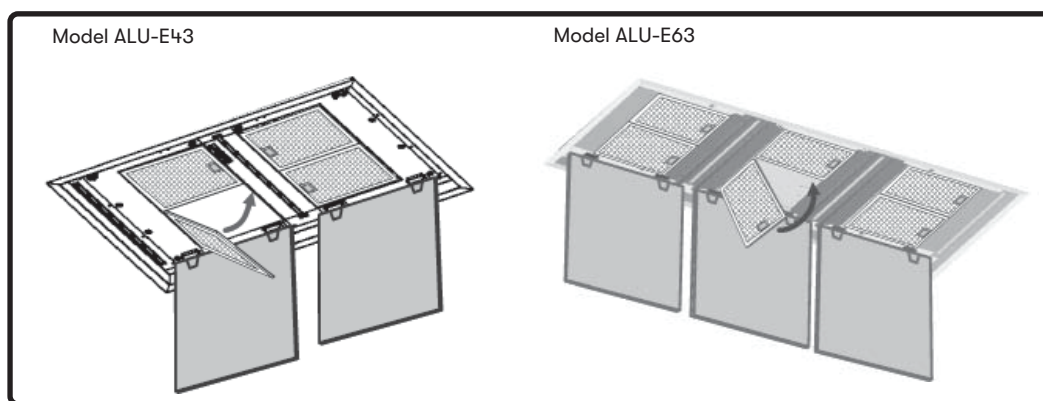


FIG. W

Model: ALU-E43CSX
ALU-E43CWX

Voltage: 120V 60Hz

Power consumption

Total:Max. 155W @ 1.8A (CBI-290C)

Max. 340W @ 3.1A (CBI-600A)

Max. 780W @ 6.8A (PBI-1100B)

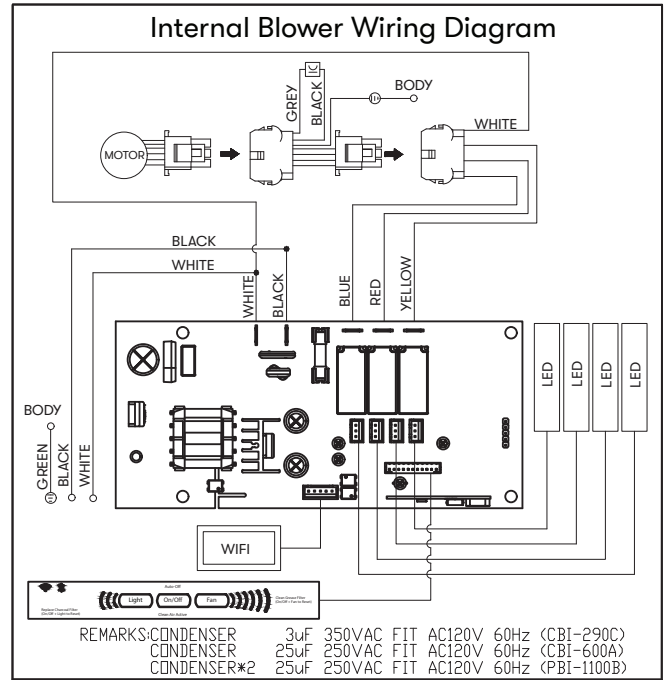
Fan: 125W (CBI-290C)

310W (CBI-600A)

750W (PBI-1100B)

Lamp: Max.10w*3

THERMALLY PROTECTED
For Residential Use Only



Model: ALU-E43CSX
ALU-E43CWX

Voltage: 120V 60Hz

Power consumption

Total:Max. 730W @ 6.8A (CBE-1000)

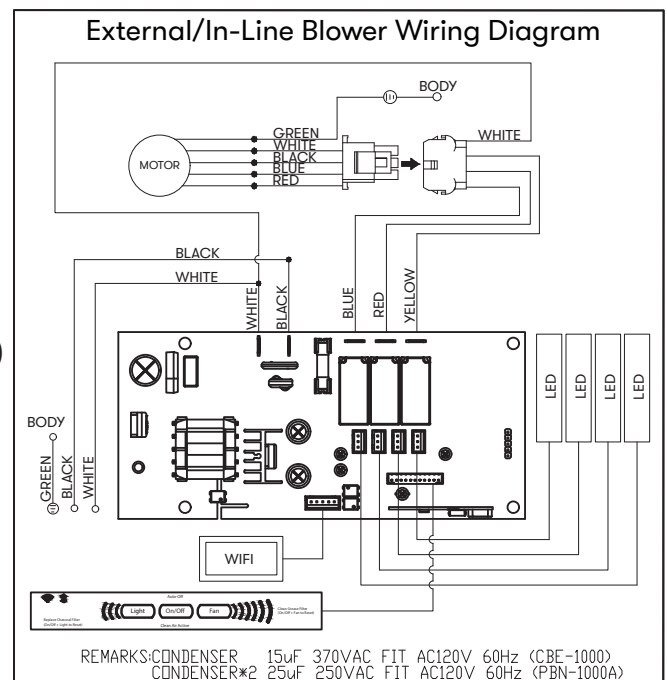
Max. 640W @ 5.5A (PBN-1000A)

Fan: 700W (CBE-1000)

610W (PBN-1000A)

Lamp: Max.10w*3

THERMALLY PROTECTED
For Residential Use Only



Wiring Diagram

Model: ALU-E63CSX
ALU-E63CWX

Voltage: 120V 60Hz

Power consumption

Total:Max. 165W @ 1.8A (CBI-290C)

Max. 350W @ 3.1A (CBI-600A)

Max. 790W @ 6.8A (PBI-1100B)

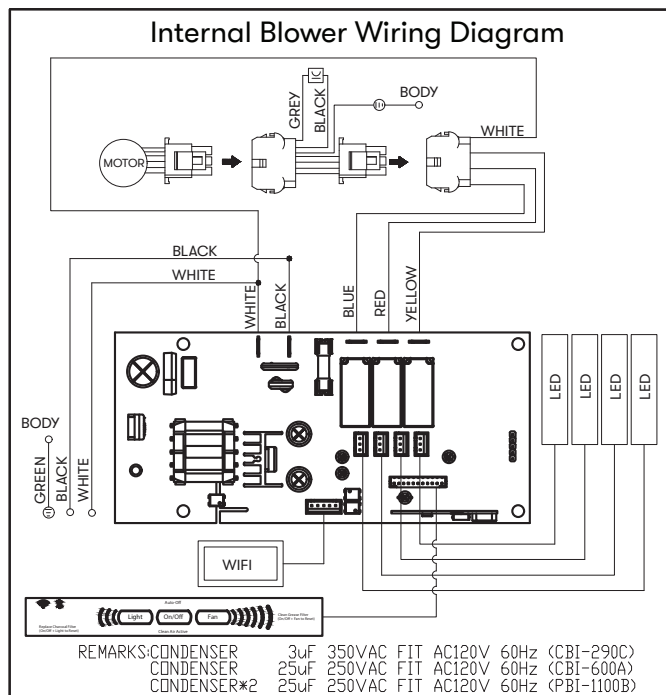
Fan: 125W (CBI-290C)

310W (CBI-600A)

750W (PBI-1100B)

Lamp: Max.10w*4

THERMALLY PROTECTED
For Residential Use Only



Model: ALU-E63CSX
ALU-E63CWX

Voltage: 120V 60Hz

Power consumption

Total:Max. 740W @ 6.8A (CBE-1000)

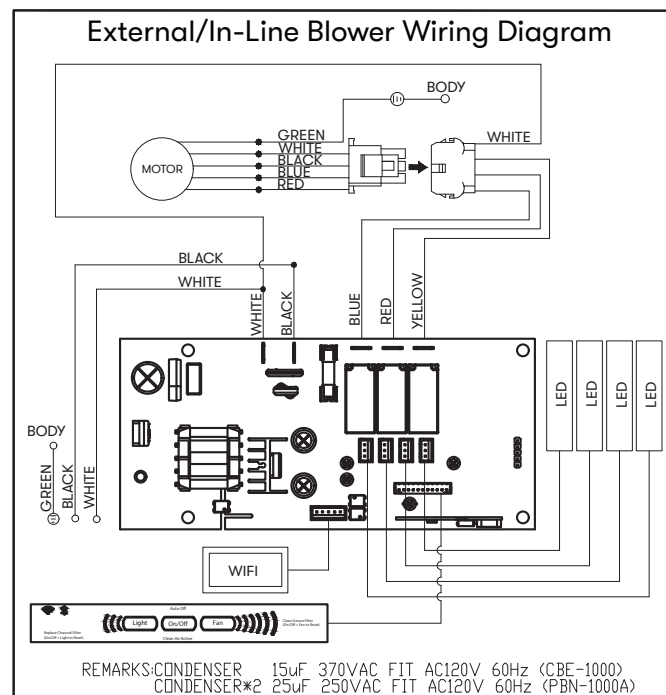
Max. 650W @ 5.5A (PBN-1000A)

Fan: 700W (CBE-1000)

610W (PBN-1000A)

Lamp: Max.10w*4

THERMALLY PROTECTED
For Residential Use Only



Possible Problem	Possible Cause	Solutions
After installation, the unit doesn't work.	The power source is not turned ON.	Make sure the circuit breaker and the unit's power is ON.
	The power line and the cable locking connector is not connecting properly.	Check the power connection with the unit is connected properly.
	The switch board or control board wirings are disconnected.	Make sure the wirings at the switch board and control board are connected properly.
	The switch board or control board is defective.	Change the switch board or control board.
	The wires on control board are loose.	Make sure the wires on the control board are connected properly.
Light works, but blower is not turning.	The blower wire is not connected.	Check all wirings from the blower to be sure all cables are properly connected.
	The thermally protected system detects if the blower is too hot to operate and shuts the blower down.	The blower will function properly after the thermally protected system cool down.
	The switch board or control board is defective.	Change defective part.
	The blower is defective, possibly seized.	Change the blower.
The unit is vibrating.	The blower is not secured in place.	Tighten the blower in place.
	Damaged blower wheel.	Replace the blower.
	The hood is not secured in place.	Check the installation of the hood.
The unit is whistling.	A filter is not in the correct position.	Adjust the filters until the whistling stops.
	The duct pipe connections are not sealed or connected properly.	Check the duct pipe connections to be sure all connections are sealed properly.
The blower is working, but the LED strips are not.	The LED strip connector is disconnected.	Connect the LED strip connector.
	Defective LED strip.	Change the LED strip.
	The switch board or control board is defective.	Change the switch board or control board.

Troubleshooting

Possible Problem	Possible Cause	Solutions
The hood is not venting out properly.	Using the wrong size of ducting.	Change the ducting to the correct size.
	The hood might be hanging too high from the cook top.	Adjust the distance between the cook top and the bottom of the hood within 30" and 72" range.
	The wind from the opened windows or opened doors in the surrounding area are affecting the ventilation of the hood.	Close all the windows and doors to eliminate the outside wind flow.
	Blockage in the duct opening or ductwork.	Remove all the blocking from the duct work or duct opening.
The unit turns on by itself.	Remote control may be paired incorrectly.	Resynchronize the remote control to connect to a different channel
	Someone is controlling the hood via the Zephyr Connect app.	Determine who is controlling the hood with the app.
Mesh filter is vibrating.	Filter is loose.	Make sure the metal clips in the handle are not stuck or replace the mesh filter.
	Spring clip is broken on the filter.	Uninstall and re-install filter. Push up on filter latch. Replace filter if needed.
RF Remote control does not work.	Battery is dead.	Replace battery with type A23 12v.
	Poor communication with the hood.	Remote control must be within 15 ft of hood.
	RF Remote lost communication with the hood.	Reset hood and remote by switching power off at the circuit breaker for 5 minutes. Place remote on counter top near the hood and switch the circuit breaker back on.
	Blue antenna wire is not extended.	Extend the blue antenna wire behind the light panel.
The range hood and user's device won't pair via Bluetooth®.	The user's phone does not have Bluetooth® enabled.	Enable Bluetooth® on the user's phone.
	The user's phone may be out of range.	Move closer towards the range hood.
	User hasn't inputted the Bluetooth® code to successfully pair.	Enter the pairing code, 123456.
	Range hood is not in Bluetooth® pairing mode.	Hold and press Fan for 3 seconds while hood and lights are off to put the hood into pairing mode.
	There are multiple errors preventing the user's phone from pairing with the range hood.	Restart the user's phone and try again.

Possible Problem	Possible Cause	Solutions
The range hood won't connect to Wi-Fi.	The user's router or modem is turned off.	Turn on the router or modem.
	The user's router is connected to a 5 GHz wireless frequency.	Connect to the 2.4 GHz band and attempt to reconnect.
	The user's coaxial cables are loose.	Tighten the coaxial cables connecting to the router or modem.
	The Wi-Fi on the user's phone is disabled.	Enable Wi-Fi on the phone.
	User is connecting to the wrong Wi-Fi network.	Verify that the correct Wi-Fi network is being connected to. The default Wi-Fi network name/SSID can be found on the router.
	The range hood is not in range of the Wi-Fi connection.	Move the router and modem closer to the range hood to increase connection strength.
	There are obstacles obstructing the Wi-Fi signal strength.	Move the router and modem closer to the range hood or move objects that are directly blocking the pathway to the range hood. Walls may reduce signal strength.
User cannot change Wi-Fi connections.	The range hood and user's phone have already connected.	Enter Bluetooth® settings and forget the device to reset the process on the phone.
Cannot bind the hood to my Zephyr Connect account.	Only one Zephyr Connect account can be bound to the hood.	Log in using the Zephyr Connect account that is already bound to the hood. Multiple devices can login using the same account.
Zephyr Connect app won't register user inputs.	Wi-Fi is unstable and the range hood may have disconnected.	Ensure the router and modem are both turned on. Allow the range hood to reconnect.
	Range hood is experiencing difficulties connecting to the user's phone.	Check on the Wi-Fi connection and restart the application.
Zephyr Connect app stuck on "Loading".	Wi-Fi is unstable and the range hood may have disconnected.	Ensure the router and modem are both turned on. Allow the range hood to reconnect.
	Range hood is experiencing difficulties connecting to the user's phone.	Check on the Wi-Fi connection and restart the application.

List of Parts & Accessories

Description	Part Number
Replacement Parts	
Aluminum Mesh Filter (each)	50200046
Replacement Charcoal Filter	ZOF-C002
LED Light Strip, 10W	ZOB-0044
RF Remote Control	14000005
RF Remote Control Battery A23 12V	15000007
Optional Accessories	
Recirculating Kit	ZRC-01LX
Single Internal Blower	CBI-290C / CBI-600A
Dual Internal Blower	PBI-1100B
External Blower	CBE-1000
In-line Blower	PBN-1000A

To order parts, visit us online at <http://store.zephyronline.com>.

TO OBTAIN SERVICE UNDER WARRANTY OR FOR ANY SERVICE RELATED QUESTIONS**United States Customers please call: 1-888-880-8368 or contact us at: zephyronline.com/contact****Canada Customers please call: 1-888-812-8311 or Email: ven-tech@broan.com**

Zephyr Ventilation, LLC (referred to herein as “we” or “us”) warrants to the original consumer purchaser (referred to herein as “you” or “your”) of Zephyr products (the “Products”) that such Products will be free from defects in materials or workmanship as follows:

One Year Limited Warranty for Parts: For one year from the date of your original purchase of the Products, we will provide, free of charge, Products or parts (including LED light bulbs, if applicable) to replace those that failed due to manufacturing defects subject to the exclusions and limitations below. We may choose, in our sole discretion, to repair or replace parts before we elect to replace the Products.

One Year Limited Warranty for Labor: For one year from the date of your original purchase of the Products, we will provide, free of charge, the labor cost associated with repairing the Products or parts to replace those that failed due to manufacturing defects subject to the exclusions and limitations below. After the first year from the date of your original purchase, you are responsible for all labor costs associated with this warranty.

Warranty Exclusions: This warranty covers only repair or replacement, at our option, of defective Products or parts and does not cover any other costs related to the Products including but not limited to: (a) normal maintenance and service required for the Products and consumable parts such as fluorescent, incandescent or halogen light bulbs, mesh and charcoal filters and fuses; (b) any Products or parts which have been subject to freight damage, misuse, negligence, accident, faulty installation or installation contrary to recommended installation instructions, improper maintenance or repair (other than by us); (c) commercial or government use of the Products or use otherwise inconsistent with its intended purpose; (d) natural wear of the finish of the Products or wear caused by improper maintenance, use of corrosive and abrasive cleaning products, pads, and oven cleaner products; (e) chips, dents or cracks caused by abuse or misuse of the Products; (f) service trips to your home to teach you how to use the Products; (g) damage to the Products caused by accident, fire, floods, acts of God; or (h) Custom installations or alterations that impact serviceability of the Products. If you are outside our service area, additional charges may apply for shipping costs for warranty repair at our designated service locations and for the travel cost to have a service technician come to your home to repair, remove or reinstall the Products. After the first year from the date of your original purchase, you are also responsible for all labor costs associated with this warranty. All Products must be installed by a qualified professional installer to be eligible for warranty repairs or service.

Limitations of Warranty. OUR OBLIGATION TO REPAIR OR REPLACE, AT OUR OPTION, SHALL BE YOUR SOLE AND EXCLUSIVE REMEDY UNDER THIS WARRANTY. WE SHALL NOT BE LIABLE FOR INCIDENTAL, CONSEQUENTIAL OR SPECIAL DAMAGES ARISING OUT OF OR IN CONNECTION WITH THE USE OR PERFORMANCE OF THE PRODUCTS. THE EXPRESS WARRANTIES IN THE PRECEDING SECTION ARE EXCLUSIVE AND IN LIEU OF ALL OTHER EXPRESS WARRANTIES. WE HEREBY DISCLAIM AND EXCLUDE ALL OTHER EXPRESS WARRANTIES FOR THE PRODUCTS, AND DISCLAIM AND EXCLUDE ALL WARRANTIES IMPLIED BY LAW, INCLUDING THOSE OF MERCHANTABILITY AND FITNESS FOR A PARTICULAR PURPOSE.

Some states or provinces do not allow limitations on the duration of an implied warranty or the exclusion or limitation of incidental or consequential damages, so the above limitations or exclusions may not apply to you. To the extent that applicable law prohibits the exclusion of implied warranties, the duration of any applicable implied warranty is limited to the same one-year and one-year periods described above if permitted by applicable law. Any oral or written description of the Products is for the sole purpose of identifying the Products and shall not be construed as an express warranty. Prior to using, implementing or permitting use of the Products, you shall determine the suitability of the Products for the intended use, and you shall assume all risk and liability whatsoever in connection with such determination. We reserve the right to use functionally equivalent refurbished or reconditioned parts or Products as warranty replacements or as part of warranty service. This warranty is not transferable from the original purchaser and only applies to the consumer residence where the Product was originally installed located in the United States and Canada. This warranty is not extended to resellers.

To Obtain Service Under Limited Warranty: To qualify for warranty service, you must: (a) notify us at the address or telephone number stated below within 60 days of the discovery of the defect; (b) give the model number and serial number; and (c) describe the nature of any defect in the Product or part. At the time of the request for warranty service, you must present evidence of your proof of purchase and proof of the original purchase date. If we determine that the warranty exclusions listed above apply or if you fail to provide the necessary documentation to obtain service, you will be responsible for all shipping, travel, labor and other costs related to the services. This warranty is not extended or restarted upon warranty repair or replacements.

Please check our website for any additional Product information, www.zephyronline.com.

Zephyr, 2277 Harbor Bay Parkway, Alameda, CA 94502

SEP25.0501

Product Registration

Congratulations on the purchase of your Zephyr product! Please take a moment to register your new Zephyr product at www.zephyronline.com/registration

IT'S IMPORTANT

Prompt registration helps in more ways than one.

- Ensures warranty coverage should you need service.
- Ownership verification for insurance purposes.
- Notification of product changes or recalls.



Zephyr Ventilation | 2277 Harbor Bay Pkwy. | Alameda, CA 94502 | 1.888.880.8368

ZEPHYR

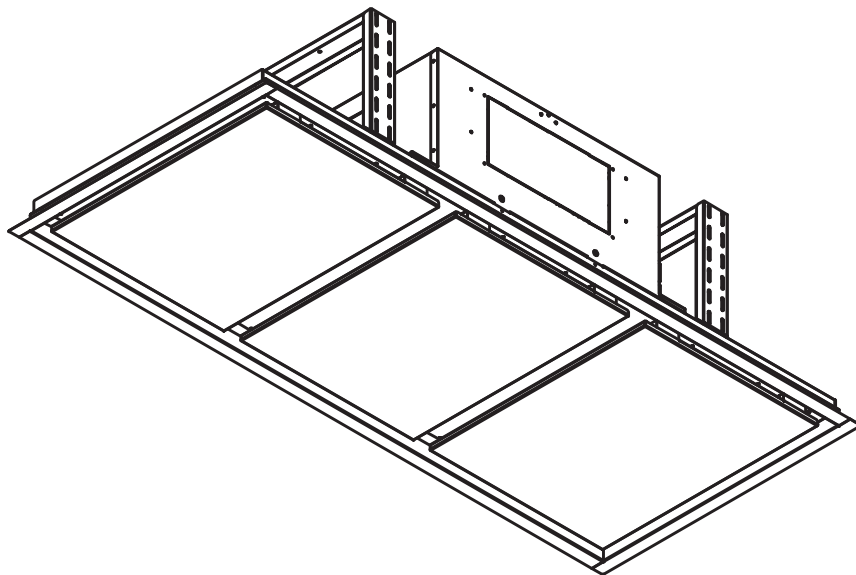
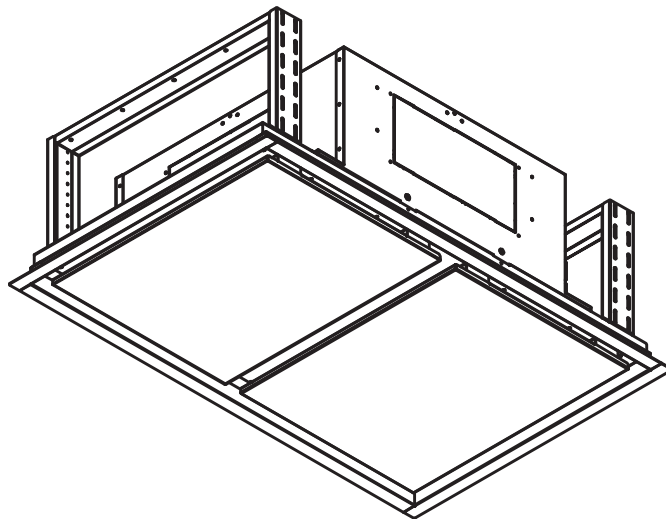
WWW.ZEPHYRONLINE.COM

Lux

ALU-E43CSX, ALU-E43CWX,
ALU-E63CSX, ALU-E63CWX

EN Use, Care, and Installation Guide

FR Guide d'utilisation, d'entretien et d'installation



JAN25.0801

Enregistrez votre produit aujourd'hui
zephyronline.com/registration



 US LISTED

	Page
Consignes de sécurité	4-6
Types d'avertissements de sécurité	4
Sécurité générale.....	4-5
Opération	6
Exigences électriques	6
Déclaration d'interface de la Federal Communication Commission ...	6
Liste de matériel	7
Instructions d'installation	8-20
Feuille de calcul pour le conduit d'aération.....	8
Hauteur de montage, dégagement et gaine	9
Options de conduits	10
Spécifications de la hotte	11
Fourniture électrique	12
Raccord de câble	12
Préparation de l'ouverture du plafond	13
Préparation du support de hotte	14
Préparation de la hotte.....	15
Installation du ventilateur	16
Connexions internes des fils du ventilateur	17
Connexions des fils du ventilateur à distance	18
Montage de la hotte	19
Recirculation sans conduit.....	20
Installation du kit de recirculation.....	20
Fonctionnalités et commandes	21-26
Commandes tactiles laminées.....	21-22
Zephyr Connect	23-24
Télécommande RF	25-26
Entretien	27-28
Nettoyage de la hotte et du filtre à graisse.....	27-28
Schéma de câblage	29-30
Dépannage	31-33
Liste des pièces et accessoires	34
Garantie limitée	35
Enregistrement du produit	36

Consignes de sécurité

LISEZ ET CONSERVEZ CES INSTRUCTIONS

Votre sécurité et celle des gens qui vous entourent sont très importantes.

Ce manuel contient de nombreux messages de sécurité relatifs à votre appareil. Lisez tous les messages et conformez-vous-y en tout temps.



Voici le symbole d'alerte à la sécurité. Ce symbole vous informe de possibles dangers qui pourraient entraîner de graves lésions corporelles ou la mort. Tous les messages de sécurité suivent le symbole d'alerte à la sécurité et comportent les mots « DANGER », « AVERTISSEMENT » ou « ATTENTION ».

DANGER

Le mot « danger » signifie que le fait de ne pas tenir compte de l'énoncé de sécurité peut entraîner une blessure grave ou la mort.

AVERTISSEMENT

Le mot « avertissement » signifie que le fait de ne pas tenir compte de l'énoncé de sécurité peut entraîner des dommages importants au produit, une lésion corporelle grave ou la mort.

ATTENTION

Le mot « attention » signifie que le fait de ne pas tenir compte de l'énoncé de sécurité peut entraîner une lésion corporelle mineure ou modérée, ou encore des dommages au produit ou à la propriété.

Sécurité générale

ATTENTION

Pour réduire le risque d'incendie ou de choc électrique, n'utilisez pas ce ventilateur avec un dispositif de commande à semi-conducteurs.

AVERTISSEMENT

AVERTISSEMENT - POUR RÉDUIRE LES RISQUES D'INCENDIE, DE CHOC ÉLECTRIQUE OU DE BLESSURES AUX PERSONNES, RESPECTEZ LES SUIVANTS:

- N'utilisez cet appareil que de la manière prévue par le fabricant. Si vous avez des questions, contactez le fabricant.
- Avant l'entretien ou le nettoyage de l'unité, coupez l'alimentation au panneau de service et verrouillez les moyens de déconnexion de service pour éviter toute mise sous tension accidentelle. Lorsque le moyen de déconnexion de service ne peut pas être verrouillé, fixez solidement un dispositif d'avertissement bien visible, tel qu'une étiquette, au panneau de service.

ATTENTION

Pour Une Ventilation Générale Uniquement. Ne Pas Utiliser Pour Évacuer Des Matières Et Des Vapeurs Dangereuses Ou Explosives. Soyez prudent lorsque vous utilisez des produits de nettoyage pour détergents. Convient pour une utilisation dans la zone de cuisson domestique.

AVERTISSEMENT

AVERTISSEMENT - POUR RÉDUIRE LE RISQUE D'INCENDIE DE GRAISSE SUR LE HAUT DE CUISINIÈRE:

- Ne laissez jamais les unités de surface sans surveillance à des réglages élevés. Les débordements provoquent de la fumée et des débordements graisseux qui peuvent s'enflammer. Chauffer les huiles lentement à des réglages faibles ou moyens.
- Allumez toujours la l'insert lorsque vous cuisinez à feu vif ou lorsque vous flambez des aliments. (c'est-à-dire Crêpes Suzette, Cerises Jubilee, Boeuf au Poivre Flambé »).
- Nettoyez fréquemment les ventilateurs de ventilation. La graisse ne doit pas s'accumuler sur le ventilateur ou le filtre.
- Utilisez une taille de casserole appropriée. Utilisez toujours des ustensiles de cuisine adaptés à la taille de l'élément de surface.

LISEZ ET CONSERVEZ CES INSTRUCTIONS



AVERTISSEMENT - POUR RÉDUIRE LE RISQUE DE BLESSURE DES PERSONNES EN CAS D'INCENDIE DE GRAISSE SUR LE HAUT DE LA CUISINIÈRE, RESPECTEZ CE QUI SUIT:

- a) DES FLAMMES PLUS INTELLIGENTES avec un couvercle bien ajusté, une plaque à biscuits ou un plateau en métal, puis éteignez le brûleur. FAITES ATTENTION À ÉVITER LES BRÛLURES. Si les flammes ne s'éteignent pas immédiatement, ÉVACUER ET APPELER LE DÉPARTEMENT DES INCENDIES.
- b) NE JAMAIS RAMASSER UNE PLAQUE ENFLAMME - Vous pourriez être brûlé.
- c) N'UTILISEZ PAS D'EAU, ni de torchons ou de serviettes humides - une violente explosion de vapeur en résultera.
- d) Utilisez un extincteur UNIQUEMENT si:
 - 1) Vous savez que vous possédez un extincteur de classe ABC et vous savez déjà comment l'utiliser.
 - 2) Le feu est petit et contenu dans la zone où il a commencé.
 - 3) Le service d'incendie est appelé.
 - 4) Vous pouvez combattre le feu dos à une sortie

*Basé sur "Kitchen Firesafety Tips" publié par la NFPA.



AVERTISSEMENT
POUR RÉDUIRE LES RISQUES D'INCENDIE, UTILISEZ
UNIQUEMENT DES CONDUITS MÉTALLIQUES.



Pour réduire les risques d'incendie et pour évacuer correctement l'air extérieur, ne pas évacuer l'air évacué dans les espaces à l'intérieur des murs, plafonds, greniers, vides sanitaires ou garages.



AVERTISSEMENT - POUR RÉDUIRE LES RISQUES D'INCENDIE, DE DÉCHARGE ÉLECTRIQUE OU DE BLESSURES AUX PERSONNES, RESPECTEZ CE QUI SUIT:

- a) Les travaux d'installation et le câblage électrique doivent être effectués par des personnes qualifiées conformément à tous les codes et normes applicables, y compris la construction résistant au feu.
- b) Une quantité d'air suffisante est nécessaire pour une combustion et une évacuation correctes des gaz par le conduit de fumée (cheminée) de l'équipement à combustible pour empêcher le refoulement. Suivez les directives et les normes de sécurité du fabricant de l'équipement de chauffage, telles que celles publiées par la National Fire Protection Association (NFPA), l'American Society for Heating, Refrigeration and Air Conditioning Engineers (ASHRAE) et les autorités locales du code.
- c) Lorsque vous coupez ou percez dans un mur ou un plafond, n'endommagez pas le câblage électrique et les autres services publics cachés.
- d) Les ventilateurs à conduit doivent toujours être ventilés vers l'extérieur.
- e) Si cet appareil doit être installé au-dessus d'une baignoire ou d'une douche, il doit être marqué comme approprié pour l'application et être connecté à un circuit de dérivation protégé par un disjoncteur de fuite à la terre (GFCI).



Prop. 65 Avertissement pour les résidents de Californie: Ce produit peut contenir des produits chimiques reconnus par l'État de Californie comme pouvant provoquer le cancer, des malformations congénitales ou d'autres troubles de la reproduction.

Consignes de sécurité

LISEZ ET CONSERVEZ CES INSTRUCTIONS

Opération

- ▶ Laissez toujours les grilles de sécurité et les filtres en place. Sans ces composants, les soufflantes en fonctionnement pourraient s'accrocher aux cheveux, aux doigts et aux vêtements amples.
- ▶ Le fabricant décline toute responsabilité en cas de non-respect des instructions données ici pour l'installation, la maintenance et l'utilisation appropriée du produit. Le fabricant décline en outre toute responsabilité en cas de blessure due à une négligence et la garantie de l'unité expire automatiquement en raison d'un mauvais entretien.

REMARQUE: veuillez consulter www.zephyronline.com pour les révisions avant d'effectuer tout travail personnalisé.

Exigences électriques

Important:

- ▶ Respectez tous les codes et ordonnances en vigueur.
- ▶ Il est de la responsabilité du client d'en prendre connaissance ci-dessous:
- ▶ Pour contacter un installateur électrique qualifié.
- ▶ Pour garantir que l'installation électrique est adéquate et conforme au National Electrical Code, ANSI / NFPA 70 dernière édition * ou aux normes CSA C22.1-94, Code canadien de l'électricité, partie 1 et C22.2 No.0-M91 - dernière édition ** et tous les codes et ordonnances locaux.
- ▶ Si les codes le permettent et qu'un fil de terre séparé est utilisé, il est recommandé qu'un électricien qualifié détermine que le chemin de terre est adéquat.
- ▶ Ne pas mettre à la terre un tuyau de gaz.
- ▶ Vérifiez auprès d'un électricien qualifié si vous n'êtes pas sûr que la l'insert est correctement mise à la terre.
- ▶ Ne pas avoir de fusible dans le circuit neutre ou de terre.
- ▶ Cet appareil nécessite une alimentation électrique de 120 V à 60 Hz et est connecté à un circuit de dérivation individuel correctement mis à la terre protégé par un disjoncteur de 15 ou 20 ampères ou un fusible temporisé. Le câblage doit être à 2 fils avec mise à la terre. Veuillez également vous référer au schéma électrique du produit.
- ▶ Un connecteur de verrouillage de câble (non fourni) peut également être requis par les codes locaux. Vérifiez les exigences locales, achetez et installez le connecteur approprié si nécessaire.

* National Fire Protection Association Batterymarch Park, Quincy, Massachusetts 02269

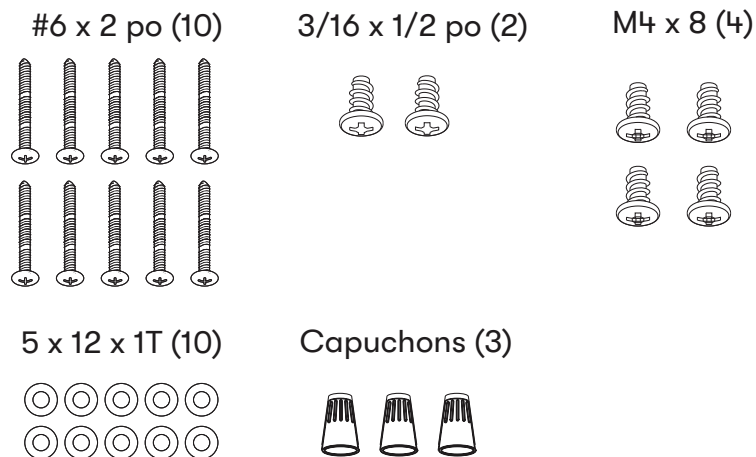
** CSA International 8501 East Pleasant Valley Road, Cleveland, Ohio 44131-5575

Déclaration d'interface de la Federal Communication Commission

- ▶ Cet équipement a été testé et déclaré conforme aux limites d'un appareil numérique de classe B, conformément à la partie 15 des règles FCC. Ces limites sont conçues pour fournir une protection raisonnable contre les interférences nuisibles dans une installation résidentielle.
- ▶ Cet équipement génère, utilise et peut émettre de l'énergie radiofréquence et, s'il n'est pas installé et utilisé conformément aux instructions, peut provoquer des interférences nuisibles aux communications radio. Cependant, il n'y a aucune garantie que des interférences ne se produiront pas dans une installation particulière. Si cet équipement cause des interférences nuisibles à la réception de la radio ou de la télévision, ce qui peut être déterminé en éteignant et en rallumant l'équipement, l'utilisateur est encouragé à essayer de corriger les interférences par l'une des mesures suivantes:
- ▶ Réorientez ou déplacez l'antenne de réception.
- ▶ Augmentez la séparation entre l'équipement et le récepteur.
- ▶ Connectez l'équipement à une prise sur un circuit différent de celui sur lequel le récepteur est connecté.
- ▶ Consultez le revendeur ou un technicien radio / TV expérimenté pour obtenir de l'aide.

Pièces fournies

Quantité	Partie
1	Hotte
4	Filtres à mailles en aluminium (modèle 43")
6	Filtres à mailles en aluminium (modèle 63")
3	Bandes lumineuses LED (modèle 43")
4	Bandes lumineuses LED (modèle 63")
1	Support de ventilateur interne simple
2	Bras de support
1	Faisceau de câblage du ventilateur à distance
1	Collier de conduit rond de 10"
1	Télécommande RF
1	Paquet de matériel



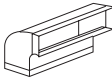
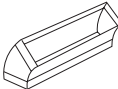
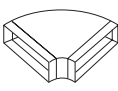
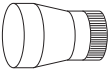
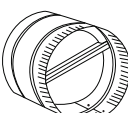
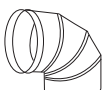



Pièces non fournies

Conduits, conduits et tous les outils d'installation
Connecteur de verrouillage de câble (si requis par les codes locaux)
Ventilateur interne simple (CBI-290C, CBI-600A)
Souffleur interne double (PBI-1100B)
Ventilateur externe (CBE-1000)
Ventilateur en ligne (PBN-1000A)
Rallonge de couvercle de conduit (ZRC-01LX)

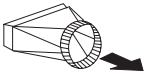
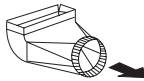
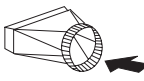
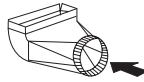
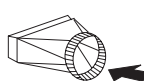
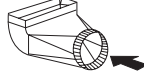
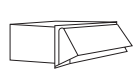
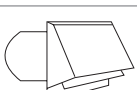

Instructions d'installation

Feuille de calcul pour le conduit d'aération

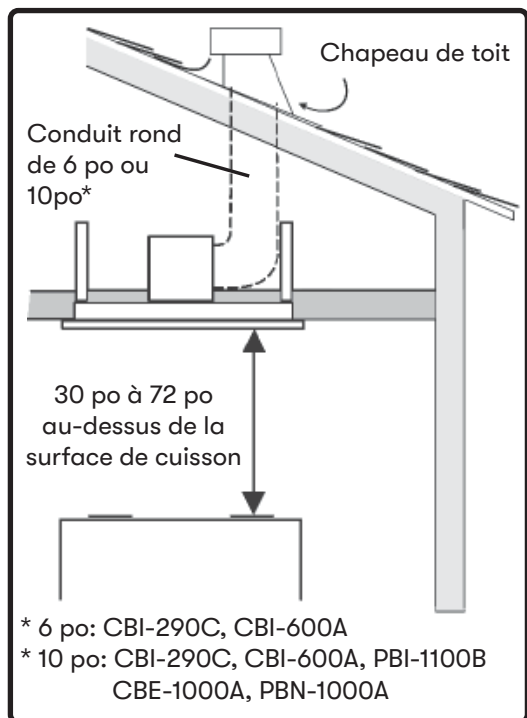
Pièces de conduit		Longueur x	Nombre utilisé	=	Total
	3-1/4" x 10" rect., droit	1 pi	x () =		pi
	6", 7", 8", 10" circ., droit	1 pi	x () =		pi
	3-1/4" x 10" rect., coude à 90°	15 pi	x () =		pi
	3-1/4" x 10" rect., coude à 45°	9 pi	x () =		pi
	3-1/4" x 10" rect., coude plat à 90°	24 pi	x () =		pi
	7" to 6" or 8" to 7" circ. reducteur conique	25 pi	x () =		pi
	6", 7", 8" circ. bouchone de l'air	15 pi	x () =		pi
	6", 7", 8", 10" circ., coude à 90°	15 pi	x () =		pi
	6", 7", 8", 10" coude à 45°	9 pi	x () =		pi
Sous-total - colonne 1 =					pi

Longueur maximale du conduit d'aération :

Pour un mouvement d'air convenable, la longueur totale d'un conduit d'aération ne devrait pas compter plus que l'équivalent de 150 pieds.

Pièces de conduit		Longueur x	Nombre utilisé	=	Total
	6" circ. à rect. de 3-1/4" x 10"	5 pi	x () =		pi
	6" circ. à rect. de 3-1/4" x 10", coude à 90°	20 pi	x () =		pi
	6" circ. à rect. de 3-1/4" x 10"	1 pi	x () =		pi
	6" circ. à rect. de 3-1/4" x 10", coude à 90°	16 pi	x () =		pi
	7" circ. à rect. de 3-1/4" x 10"	8 pi	x () =		pi
	7" circ. à rect. de 3-1/4" x 10", coude à 90°	23 pi	x () =		pi
	3-1/4" x 10" embout mural rect./registre	30 pi	x () =		pi
	6", 7", 8", 10" embout mural circ./registre	30 pi	x () =		pi
	6", 7", 8", 10" chapeau de toiture circ.	30 pi	x () =		pi
Sous-total - colonne 2 =					pi
Sous-total - colonne 1 =					pi
Total du conduit =					pi

Hauteur de montage, dégagement et gaine



Pour les ventilateurs internes simples (CBI-290C, CBI-600A), un minimum de conduits ronds de 6 po doit être utilisé pour maintenir une efficacité maximale du débit d'air. Pour les ventilateurs internes doubles, des conduits ronds de 10 po minimum doivent être utilisés pour les ventilateurs internes doubles.

Les ventilateurs externes (CBE-1000) et en ligne (PBN-1000A) nécessitent un minimum si des conduits ronds de 10 po doivent être utilisés pour maintenir une efficacité maximale du débit d'air. D'autres ventilateurs ne peuvent pas être remplacés.

Utilisez toujours uniquement des conduits métalliques de type rigide. Les conduits flexibles peuvent restreindre le débit d'air jusqu'à 50%.

Utilisez également le calcul (à la page 8) pour calculer la longueur totale de gaine disponible lorsque vous utilisez des coudes, des transitions et des chapeaux.

TOUJOURS, dans la mesure du possible, réduisez le nombre de transitions et de virages. Si une longue longueur de conduit est requise, augmentez la taille du conduit. Si des virages ou des transitions sont nécessaires ; installer aussi loin de la sortie du conduit d'insertion et aussi loin l'un de l'autre, entre les deux que possible.

La hauteur de montage minimale entre le haut de la cuisinière et le bas de l'insert ne doit pas être inférieure à 30 po. La hauteur de montage maximale ne doit pas dépasser 72 po.

Il est important d'installer la hotte à la bonne hauteur de montage. Les hottes montées trop bas pourraient entraîner des dommages causés par la chaleur et un risque d'incendie ; tandis que les hottes montées trop haut seront difficiles à atteindre et perdront leurs performances et leur efficacité.

Si disponible, reportez-vous également aux exigences de dégagement en hauteur du fabricant de la cuisinière et à la hauteur de montage de la hotte recommandée au-dessus de la cuisinière.

Pour les dommages liés à l'expédition et à l'installation:

- ▶ Veuillez inspecter complètement l'unité pour déceler tout dommage avant l'installation. Si l'appareil est endommagé lors de l'expédition, renvoyez-le au magasin où il a été acheté pour réparation ou remplacement.
- ▶ Si l'appareil est endommagé par le client, la réparation ou le remplacement est à la charge du client.
- ▶ Si l'unité est endommagée par l'installateur (si autre que le client), la réparation ou le remplacement doit être effectuée par arrangement entre le client et l'installateur.

Instructions d'installation

Options de conduits

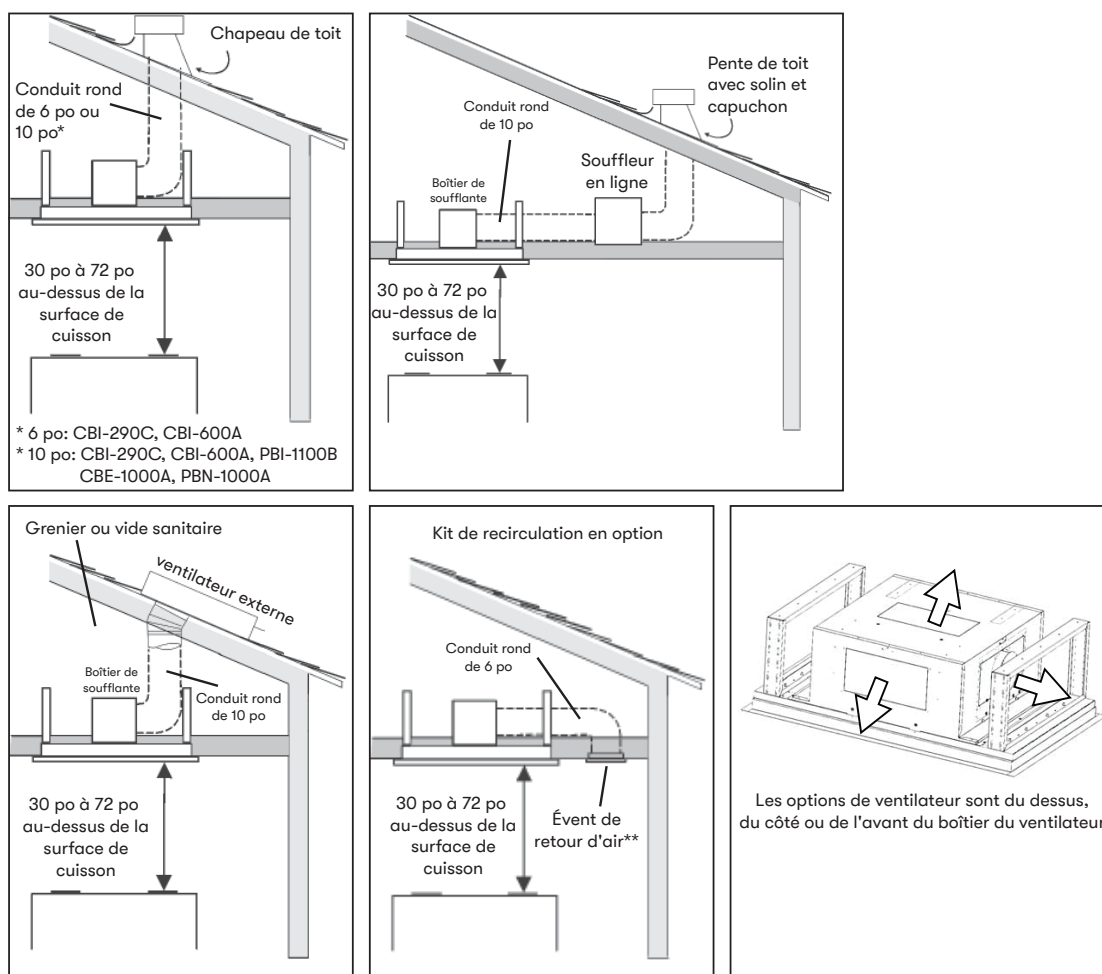


ATTENTION



Risque d'incendie: NE JAMAIS évacuer l'air ni terminer de conduits dans des espaces entre les murs, les vides sanitaires, les plafonds, les greniers ou les garages. Tout l'échappement doit être canalisé vers l'extérieur, à moins d'utiliser l'option de recirculation.

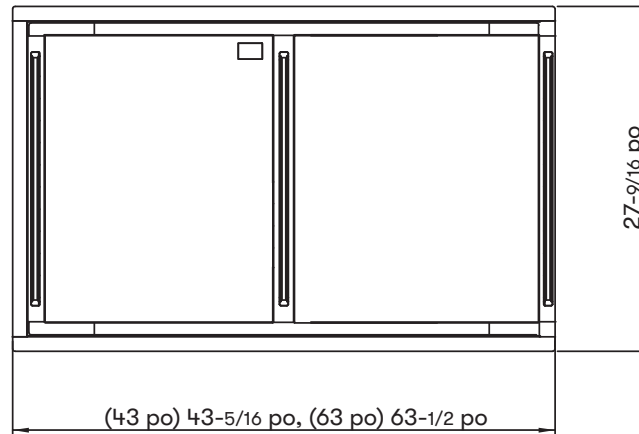
- Utilisez uniquement des conduits métalliques rigides à paroi simple.
- Fixez toutes les connexions avec des vis à tôle et collez tous les joints avec du ruban argenté ou du ruban adhésif.



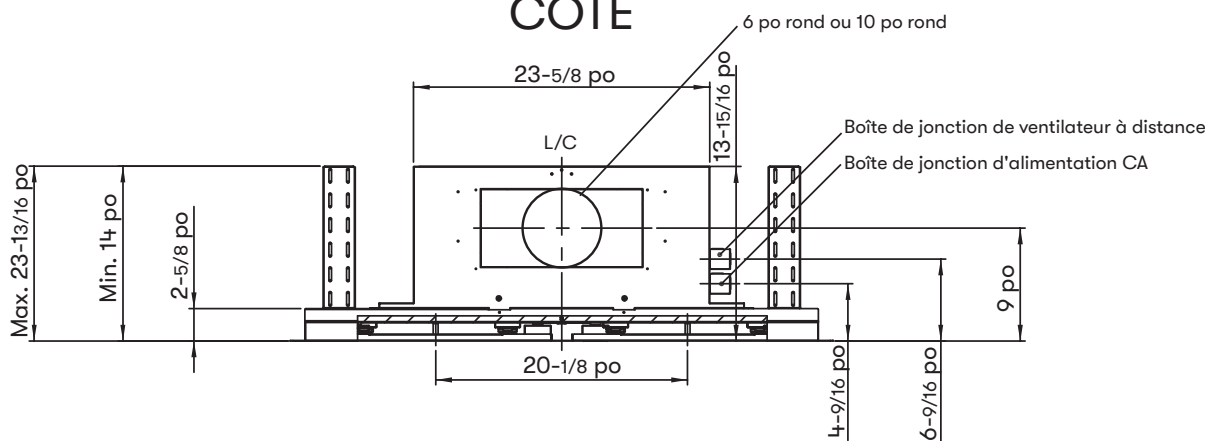
* L'évent de retour d'air doit être à au moins 6 pieds de la hotte. Le kit de recirculation, ZRC-01LX, n'est compatible qu'avec les modèles de ventilateur interne simple, CBI-290C et CBI-600A.

Spécifications de la hotte

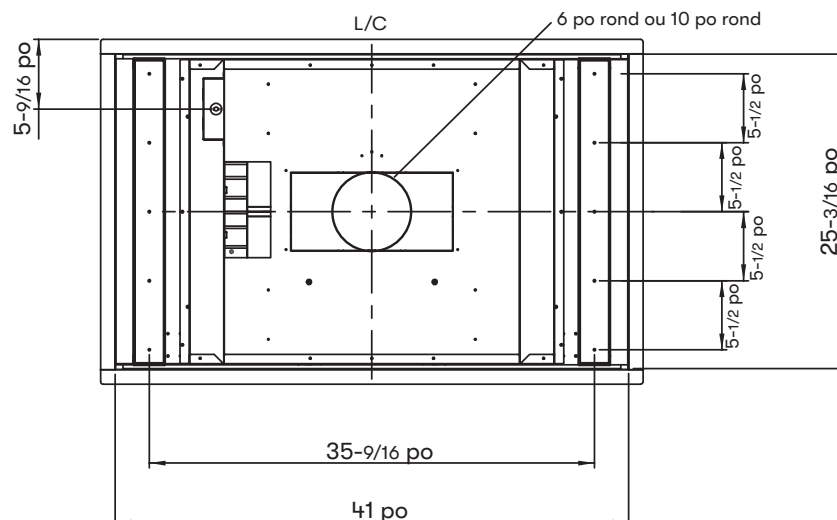
BAS



CÔTÉ



HAUT



Instructions d'installation

Fourniture électrique

**ATTENTION**

Le câblage électrique doit être effectué par des personnes qualifiées conformément à tous les codes et normes applicables. Cette l'insert doit être correctement mise à la terre. Coupez l'alimentation électrique à l'entrée de service avant le câblage.

Pour votre sécurité personnelle, retirez le fusible de la maison ou ouvrez le disjoncteur avant de commencer l'installation. N'utilisez pas de rallonge ni de fiche d'adaptateur avec cet appareil.

Suivez les codes électriques nationaux ou les codes et règlements locaux en vigueur.

Cet appareil nécessite une alimentation électrique de 120 V 60 Hz et est connecté à un circuit de dérivation individuel correctement mis à la terre, protégé par un disjoncteur de 15 ou 20 ampères ou un fusible temporisé. Le câblage doit être à 2 fils avec terre. Veuillez également vous référer au schéma électrique étiqueté sur le produit.

Raccord de câble

Un connecteur de verrouillage de câble (non fourni) peut être requis par les codes locaux. Vérifiez les exigences et les codes locaux, achetez et installez le connecteur approprié si nécessaire. (FIG. A)

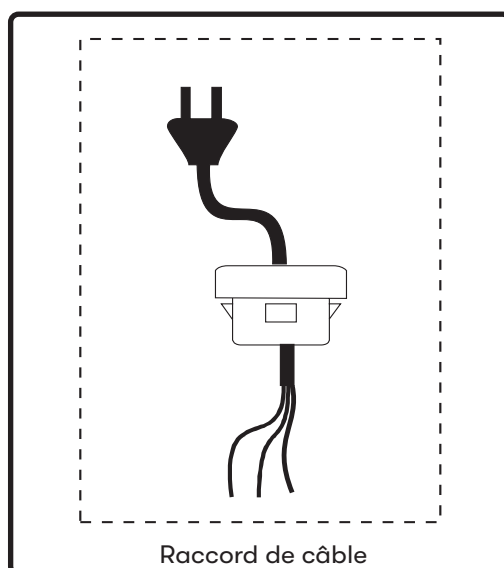
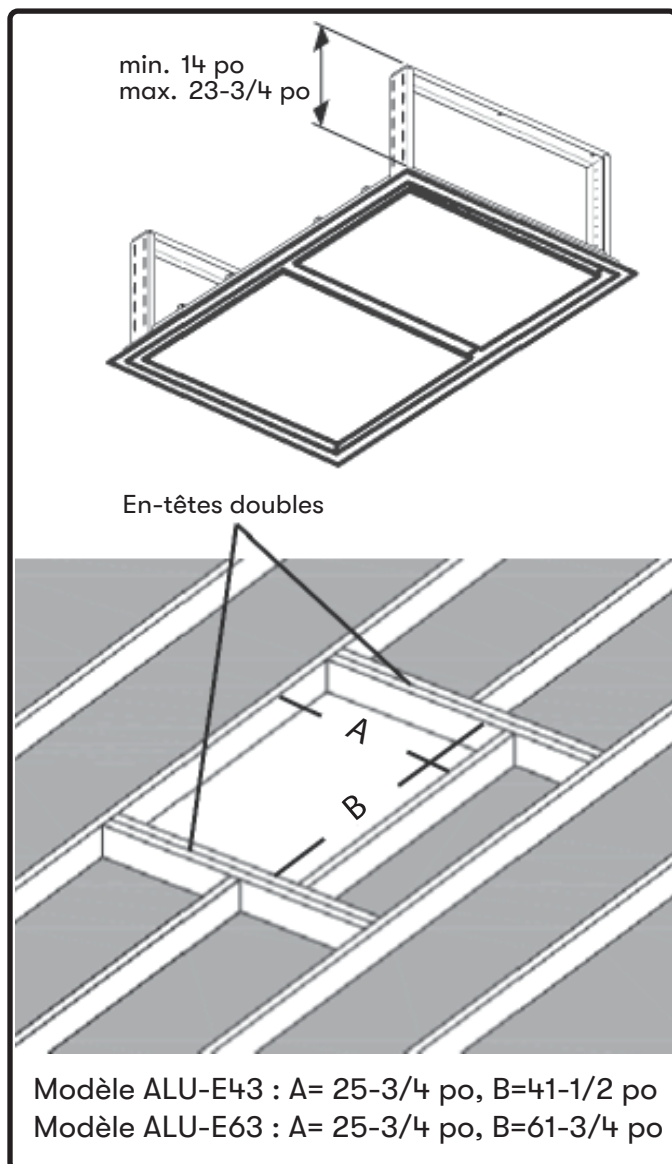
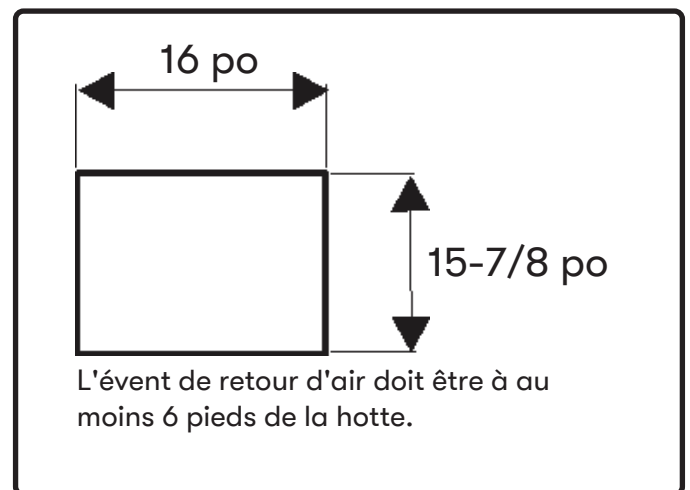


FIG. A

Préparation de l'ouverture du plafond

1. La hotte doit toujours être centrée sur la table de cuisson. Assurez-vous qu'il y a suffisamment d'espace dans la structure du plafond pour installer la hotte et les conduits.
2. La hotte doit être montée de 30" à 72" au-dessus de la table de cuisson pour une meilleure élimination des impuretés de cuisson. Utilisez du bois de la taille d'une solive pour encadrer l'ouverture de la hotte. La structure du plafond doit pouvoir supporter le poids de la hotte (FIG. B). ALU-E43 pèse 65 livres et ALU-E63 pèse 85 livres.
3. Pour la version non canalisée, se référer à la FIG. C. Faites une découpe dans le plafond pour l'évent de retour d'air.

**FIG. B****FIG. C**

Instructions d'installation

Préparation du support de hotte

1. Construisez un système de charpente en bois illustré à la FIG. D et FIG. E. La structure doit être capable de supporter son propre poids, plus le poids de la hotte. ALU-E43 pèse 65 livres et ALU-E63 pèse 85 livres.

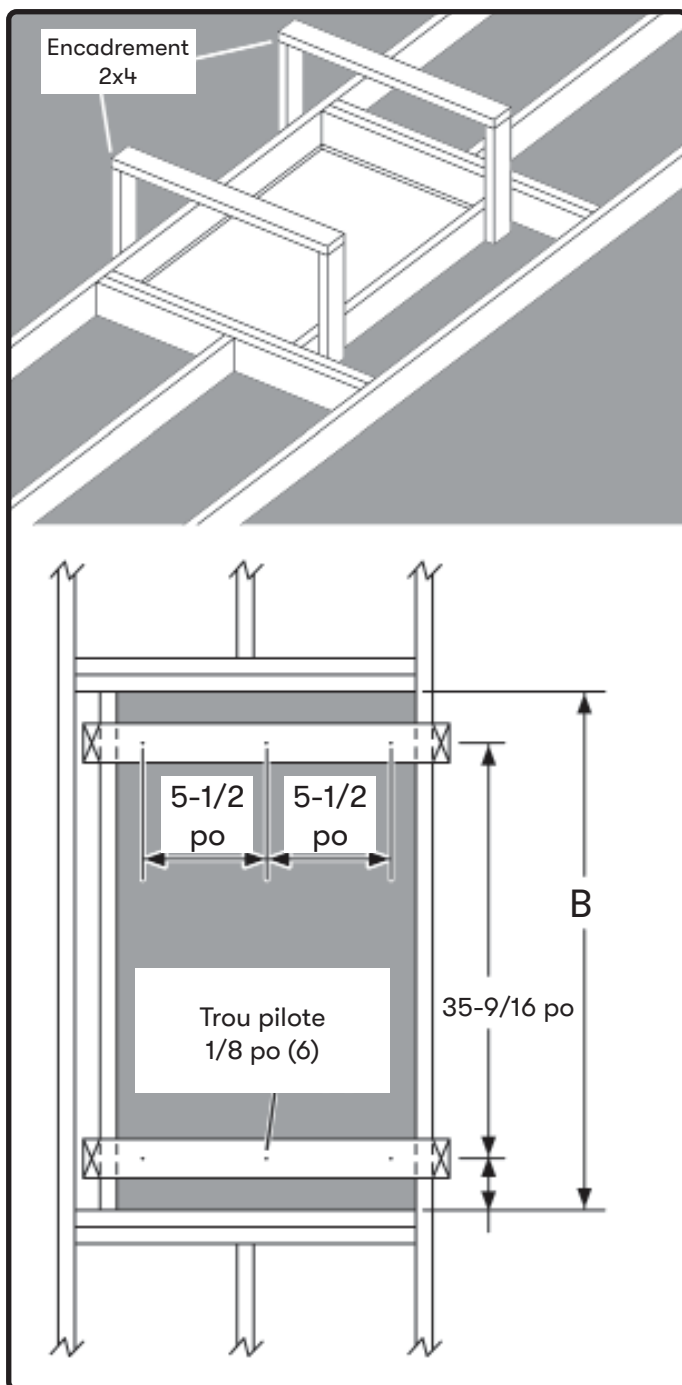


FIG. D

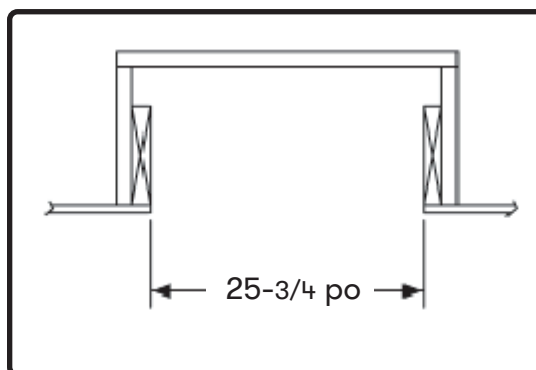


FIG. E

Préparation de la hotte

1. Poussez la languette de verrouillage derrière le centre du panneau périphérique pour ouvrir le capot, FIG. F.
2. Ouvrez les panneaux périphériques et retirez les filtres à mailles, FIG. G.
3. Retirer les panneaux centraux en dévissant les vis 3/16 x 1/4, FIG. G.
4. Retirez les (2) panneaux lumineux en dévissant les vis 3/16 x 1/4 (modèle ALU-E43 uniquement), FIG. H.

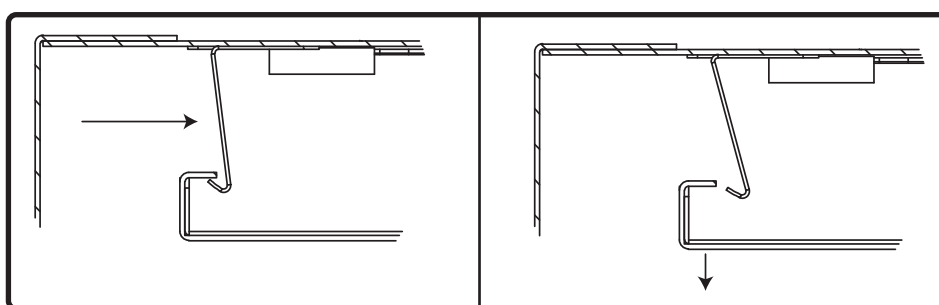


FIG. F

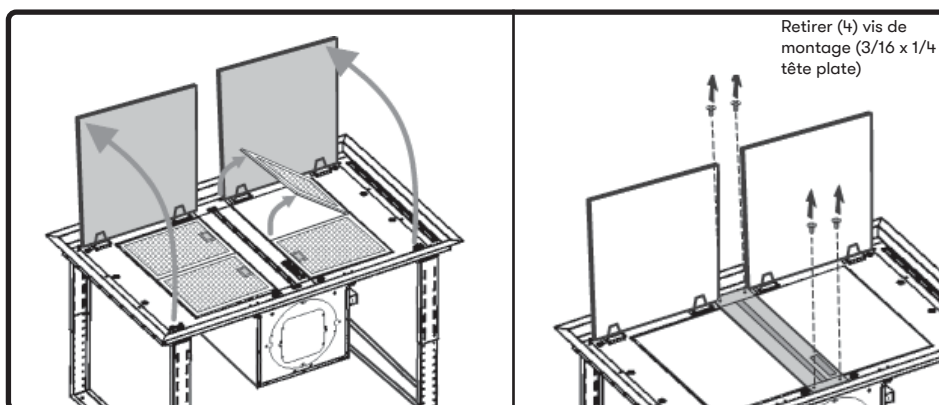


FIG. G

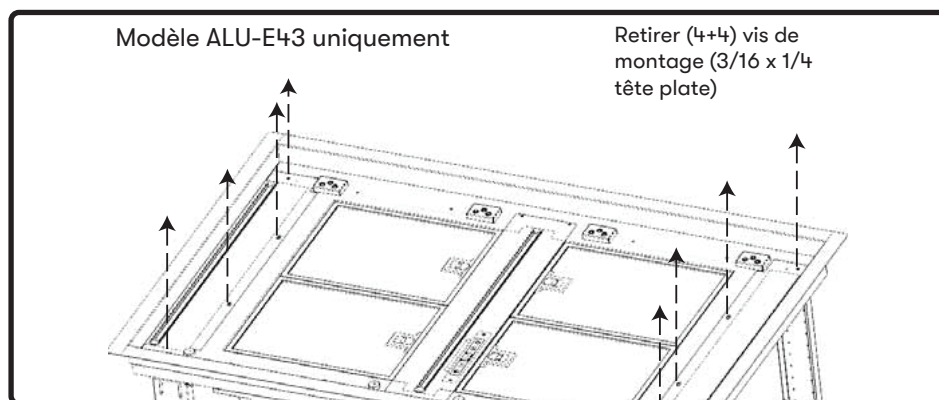


FIG. H

Instructions d'installation

Installation du ventilateur

Ventilateurs internes (CBI-290C, CBI-600A ou PBI-1100B)

1. Choisissez la sortie du conduit du ventilateur. Les options de conduit sont du haut, du côté ou de l'avant. Reportez-vous à la page 10 pour plus de détails.
2. Retirez la plaque défonçable pour une seule position de sortie de conduit choisie.
3. Fixez la plaque du ventilateur interne au ventilateur à l'aide des (4) vis M4 x 16 fournies avec le ventilateur interne, FIG. I.
4. Installez le ventilateur interne avec la plaque de ventilateur dans le corps de la hotte. Le bas de la plaque du ventilateur s'accroche aux languettes du corps. Le dessus de la plaque du ventilateur se fixe par (2) vis 3/16 x 1/2", FIG. J.

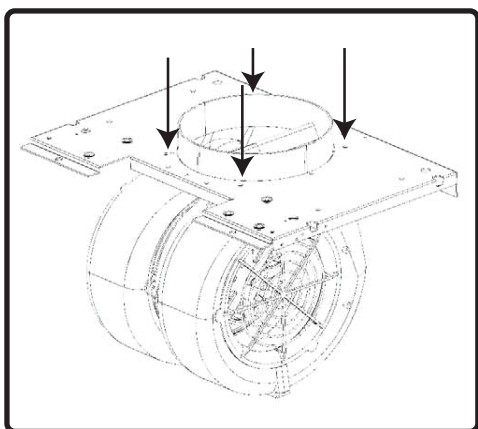


FIG. I

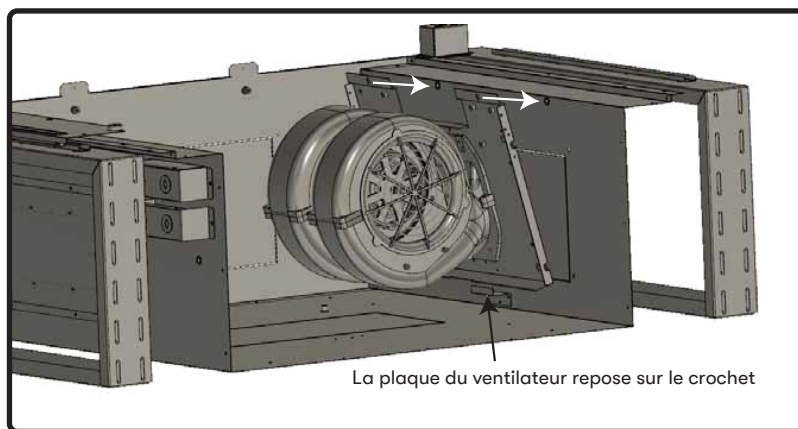


FIG. J

Ventilateurs externes et en ligne (CBE-1000 ou PBN-1000A)

1. Choisissez la sortie du conduit du ventilateur. Les options de conduit sont du haut, du côté ou de l'avant. Reportez-vous à la page 10 pour plus de détails.
2. Retirez la plaque défonçable pour une seule position de sortie de conduit choisie.
3. Fixez le collier de conduit rond de 10 po à la position de sortie désirée, FIG. K.

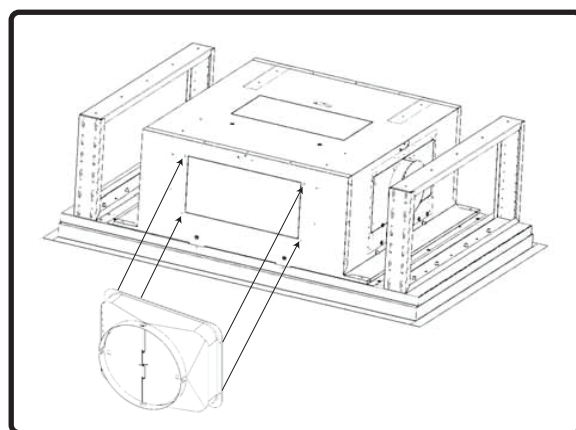


FIG. K

Connexions internes des fils du ventilateur

REMARQUES: Cette hotte doit être correctement mise à la terre. Cet appareil doit être installé par un électricien qualifié conformément à tous les codes électriques nationaux et locaux applicables.

Ventilateurs internes (CBI-290C et CBI-600A)

1. Montez le boîtier du condensateur sur le corps de la hotte à l'aide de (2) vis M4 x 8 mm de l'emballage du matériel du ventilateur.
2. Connectez l'extrémité femelle à 6 broches du boîtier PCB à l'extrémité mâle à 6 broches du câblage du boîtier du condensateur, FIG. L1.
3. Connectez l'extrémité mâle à 9 broches du ventilateur CBI à l'extrémité femelle à 9 broches du câblage du boîtier du condensateur, FIG. L2.
4. Connectez le fil de terre vert du câblage du boîtier du condensateur au corps de la hotte à l'aide d'une (1) vis 3/16 x 3/8 préinstallée à l'intérieur du corps de la hotte, FIG. L3

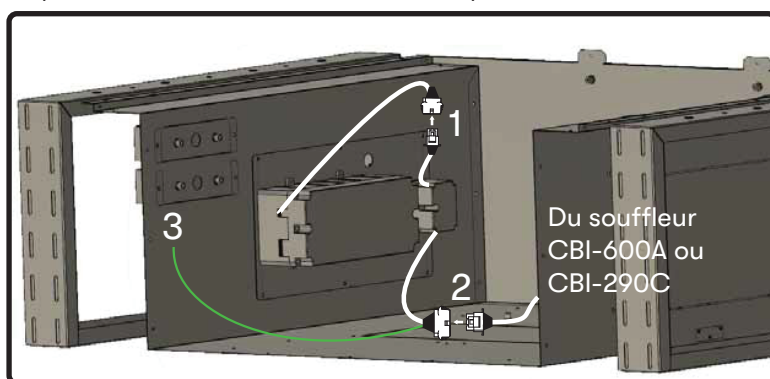


FIG. L

Ventilateurs internes (PBI-1100B)

1. Connectez l'extrémité femelle à 6 broches du boîtier PCB à l'extrémité à 6 broches du câblage du ventilateur PBI-1100B, FIG. M.

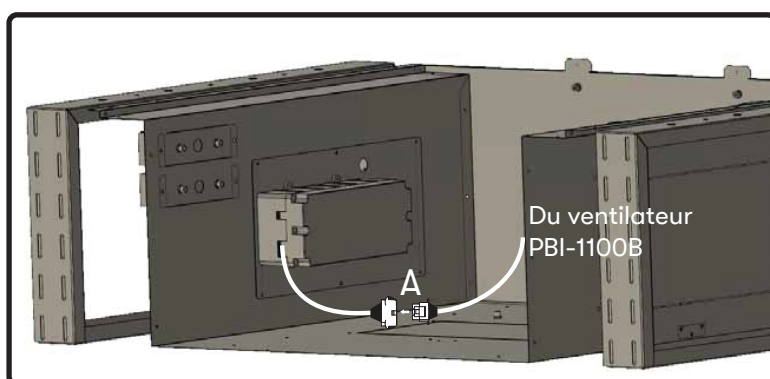


FIG. M

Instructions d'installation

Connexions des fils du ventilateur à distance

Souffleurs à distance (CBE-1000 et PBN-1000A)

1. Connectez le câble du ventilateur à distance à 6 broches à la prise moxex à 6 broches du boîtier de composants interne à l'intérieur de la hotte, FIG. N.
2. Acheminez une alimentation à 5 fils avec un câble de mise à la terre du ventilateur à distance au boîtier de câblage du ventilateur à distance, FIG. O.
3. Connectez l'alimentation à 5 fils avec câble de mise à la terre aux fils du câble du ventilateur à distance, FIG. P.
4. Connectez l'alimentation à 5 fils avec câble de terre au ventilateur à distance (voir les instructions fournies avec le ventilateur à distance pour plus d'informations).

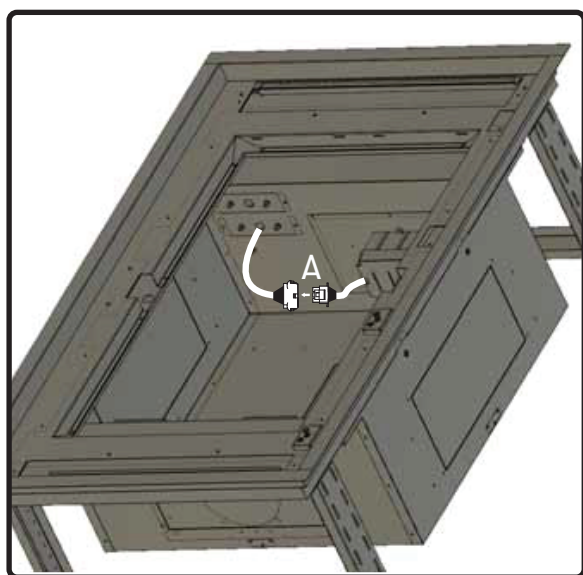


FIG. N

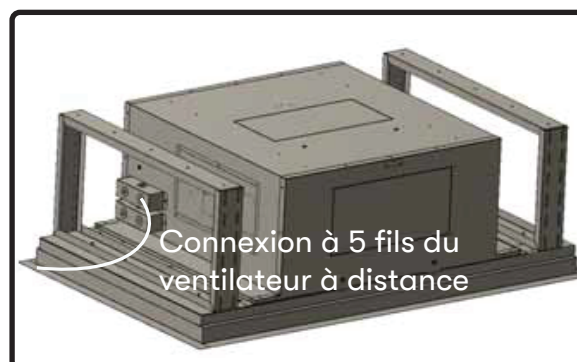


FIG. O

CBE-1000 / PBN-1000A : SCHÉMA DE CÂBLAGE

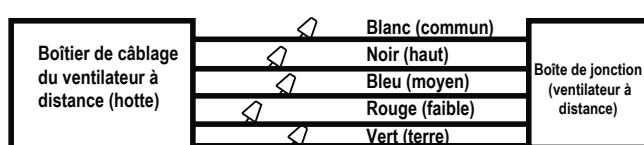


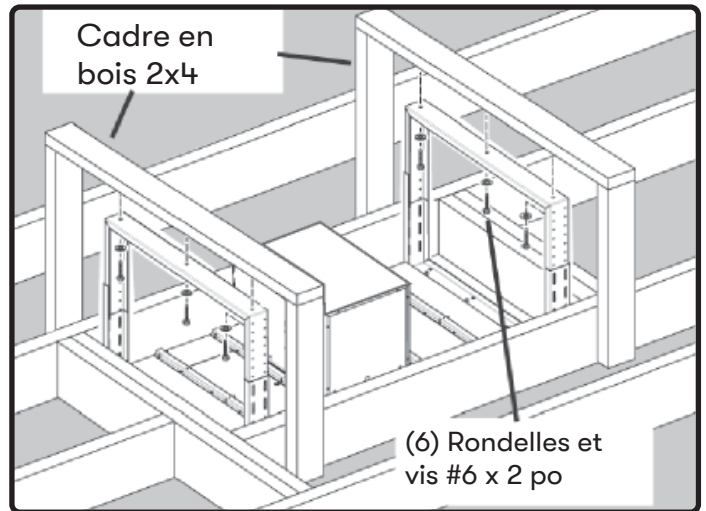
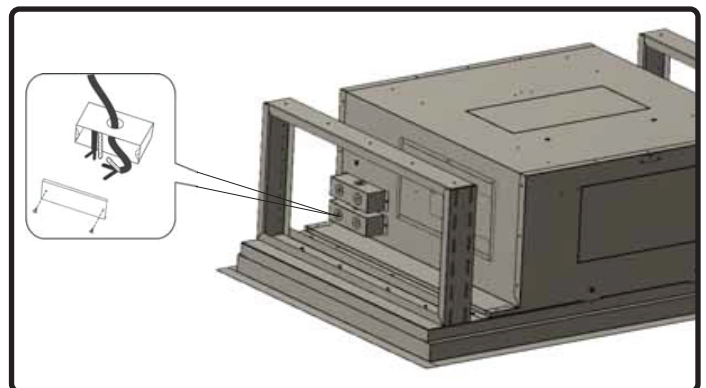
FIG. P

Montage de la hotte



Au moins deux installateurs sont recommandés en raison du poids et de la taille de la hotte.

1. Soulevez la hotte dans l'ouverture du plafond.
2. Fixez chaque cadre de support au cadre de support de la hotte en bois à l'aide des vis fournies (6 à 10) #6 x 2", FIG. Q.
3. Ajustez la hauteur du cadre de support télescopique pour assurer un ajustement serré entre la hotte et le plafond de finition.
4. Connectez les conduits ; ruban à conduits tous les joints pour assurer une étanchéité à l'air.
5. Retirez une entrée défonçable de l'entrée du boîtier de câblage, FIG. R.
6. Fixez le conduit au boîtier de câblage à l'aide d'un connecteur de conduit.
7. Effectuez les connexions électriques. Connectez le blanc au blanc, le noir au noir et le vert à la terre.
8. Fixez le couvercle et les vis du boîtier de câblage (FIG. R) et assurez-vous que les fils ne sont pas pincés entre le couvercle et le boîtier.

**FIG. Q****FIG. R**

Instructions d'installation

Recirculation sans conduit

La recirculation sans conduit est destinée aux applications où il n'est pas possible d'installer un conduit d'évacuation. Une fois convertie, la hotte fonctionne comme une hotte à recirculation plutôt que comme une hotte aspirante. Les fumées et les gaz d'échappement de la cuisson sont aspirés et filtrés par un ensemble de filtres à charbon en option. L'air est ensuite purifié et recirculé dans la maison.

Nous recommandons de TOUJOURS évacuer l'air à l'extérieur de la maison en utilisant des conduits existants ou en installant de nouveaux conduits, si possible. La hotte est la plus efficace et efficiente en tant que hotte aspirante. Ce n'est que lorsque l'option évacuation n'est pas possible qu'il faut recourir à la conversion de la hotte en hotte à recirculation.

Lorsqu'elle est convertie en hotte à recirculation, un ensemble de filtres à charbon est requis en plus de son ensemble de filtres à graisse standard. Commandez selon sa référence ci-dessous. Les filtres à mailles standard sont destinés à capturer les résidus de cuisson et les filtres à charbon en option aident à purifier les fumées de cuisson pour la recirculation.

Installation du kit de recirculation (nécessaire si aucun conduit n'est utilisé)

Le kit de recirculation est uniquement compatible avec les ventilateurs internes simples CBI-290C et CBI-600A. Le kit comprend les filtres à charbon et la plaque de dérivation d'air.

Modèle de hotte	Numéro d'article	Filtres dans le package
ALU	ZRC-01LX	1

1. Installez l'évent de retour d'air au plafond à l'aide de (4) vis M4 x 31, FIG. S. Un cadre de plafond supplémentaire peut être nécessaire autour du déflecteur d'air pour supporter le poids de l'évent. Référez-vous à la FIG. T, si besoin.
2. Installez le filtre à charbon derrière la plaque de dérivation d'air. Installez la plaque de dérivation d'air.

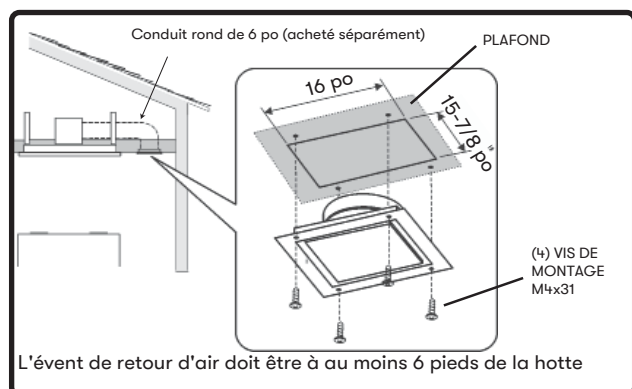


FIG. S

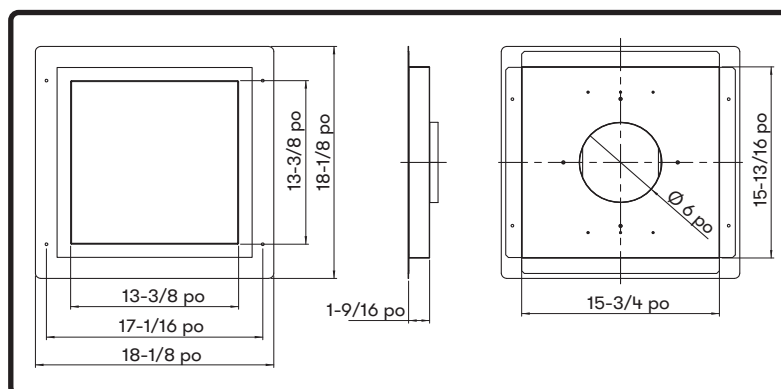
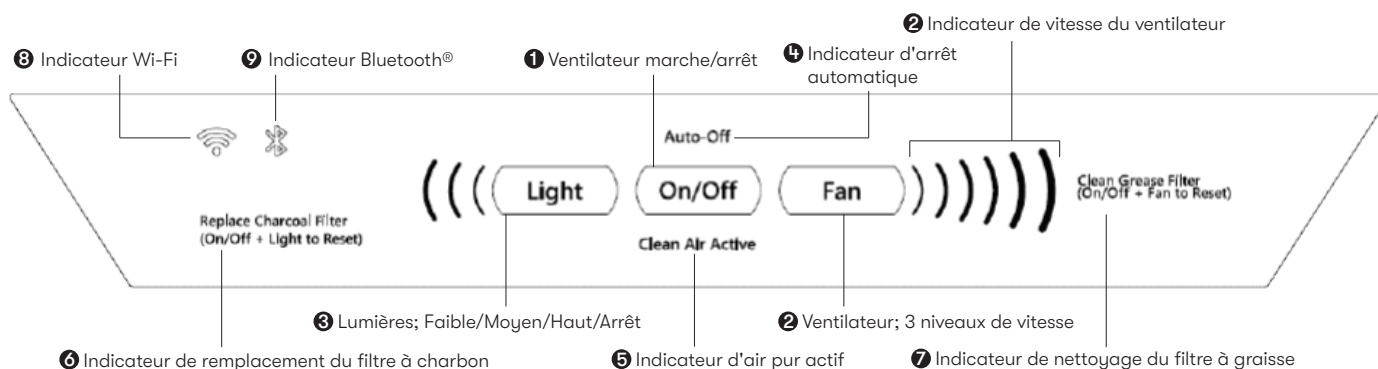


FIG. T

Commandes tactiles laminées



1. Ventilateur marche/arrêt

- ▶ En appuyant sur On/Off, le ventilateur est allumé et éteint. Lorsqu'il est allumé, le ventilateur démarre au niveau de vitesse 1.

2. Sélection de la vitesse du ventilateur

- ▶ Appuyez sur Fan pour faire défiler les vitesses du ventilateur de 1 à 2, 3 et éteint. Le niveau de vitesse actuel sera indiqué par les graphiques allumés.

3. Lumières; Arrêt/Faible/Moyen/Haut

- ▶ Appuyez sur Light pour faire défiler les niveaux d'éclairage de 1 à 2, 3 et désactiver. Le niveau d'éclairage actuel sera indiqué par les graphiques allumés.

4. Délai automatique désactivé

- ▶ Cette fonction est utilisée pour l'arrêt programmé du ventilateur 10 minutes après l'activation de la fonction. Le niveau de vitesse du ventilateur passera à 1 et le graphique Auto-Off s'allumera. Appuyez et maintenez enfoncé le bouton Marche/Arrêt pendant 3 secondes pendant que le ventilateur et/ou les lumières sont allumés pour activer le délai d'arrêt automatique. Le ventilateur s'arrêtera complètement après 10 minutes. L'application Zephyr Connect propose des options pour 5 ou 10 minutes.

5. Air pur actif

- ▶ Lorsqu'il est activé, il met la hotte au niveau de vitesse du ventilateur 1 pendant 10 minutes toutes les 4 heures et sera indiqué par l'allumage du voyant et le niveau de vitesse du ventilateur 1 pulsant lentement. Pour activer Clean Air Active, appuyez et maintenez enfoncés Light and Fan pendant 3 secondes pendant que la hotte est éteinte.

Fonctionnalités et commandes

Commandes tactiles laminées

6. Rappel du mode de recirculation - Remplacer le filtre à charbon

- ▶ Si cette fonction est activée, après 200 heures d'utilisation du ventilateur, le voyant s'allume. Toutes les bandes lumineuses à DEL clignotent lentement pour vous rappeler de remplacer le filtre à charbon.
- ▶ Appuyez sur les boutons Marche/Arrêt, Éclairage et Ventilateur et maintenez-les enfoncés pendant 3 secondes lorsque la hotte est éteinte pour activer cette fonction. Appuyez sur les boutons Marche/Arrêt et Éclairage et maintenez-les enfoncés pendant 3 secondes lorsque la hotte est éteinte pour réinitialiser le rappel.

7. Nettoyer le filtre à graisse

- ▶ Après 120 heures d'utilisation du ventilateur, le voyant de nettoyage du filtre à graisse s'allume. Les bandes lumineuses à DEL extérieures clignotent lentement pour vous rappeler de nettoyer les filtres à graisse.
- ▶ Pour réinitialiser le rappel, maintenez enfoncés les boutons Marche/Arrêt et Ventilateur pendant 3 secondes lorsque la hotte est éteinte.

8. Wi-Fi

- ▶ L'icône Wi-Fi s'allumera pendant 30 secondes lorsque la hotte se connectera ou se reconnectera avec succès à un réseau.
- ▶ Lorsque le ventilateur de la hotte ou les lumières sont allumés, l'icône Wi-Fi s'allumera pour indiquer l'état de la connexion. S'il n'est pas allumé, cela signifie que la hotte n'est pas connectée à Internet.

9. Bluetooth®

- ▶ L'icône Bluetooth® s'allume lorsqu'elle est connectée à la hotte via Bluetooth®. Pour activer le mode d'appairage Bluetooth®, maintenez le bouton Fan enfoncé pendant 3 secondes lorsque le ventilateur et les lumières sont éteints.

10. Mode de couplage de la télécommande

- ▶ Appuyez et maintenez enfoncé pendant 3 secondes lorsque le ventilateur et les lumières sont éteints pour mettre la hotte en mode d'appairage de la télécommande. Les indicateurs clignoteront lentement en mode de couplage jusqu'à ce que la télécommande se synchronise.

Zephyr Connect

Votre hotte est compatible avec notre application Zephyr Connect. Tout ce dont vous avez besoin est une connexion WiFi avec accès à Internet qui peut atteindre l'emplacement de votre hotte. Zephyr Connect vous permet de contrôler votre hotte depuis n'importe où à l'aide d'un appareil mobile ou de votre haut-parleur intelligent Amazon Alexa ou Google Home. Zephyr Connect inclut également des diagnostics en temps réel et vous fournit des informations importantes sur le produit.

L'application Zephyr Connect est disponible sur les appareils iOS utilisant iOS 11.0 ou version ultérieure ou les appareils Android utilisant Android version 8 ou version ultérieure. Visitez l'App Store d'Apple ou le Google Play Store pour plus d'informations.

Si votre hotte n'est pas connectée au WiFi, la fonctionnalité fonctionnera de la même manière qu'une hotte classique sans connectivité WiFi.

Veuillez consulter le guide de démarrage rapide Zephyr Connect inclus pour plus d'informations

Si vous avez connecté votre hotte avec des haut-parleurs intelligents Amazon Alexa ou Google Home, vous disposez désormais de capacités de commande vocale. La liste des commandes pour Amazon Alexa et Google Home se trouve à la page suivante.

REMARQUES: Amazon Alexa et Google Home ne prennent pas en charge les commandes vocales en français.



Fonctionnalités et commandes

Zephyr Connect

Type de contrôle	Commandes vocales Amazon Alexa	La description
Puissance	Alexa, turn on [Hood Name]	Allumez la hotte
	Alexa, turn off [Hood Name]	Coupez l'alimentation de la hotte
Ventilateur	Alexa, increase [Hood Name] Fan Speed	Augmenter la vitesse du ventilateur sur la hotte
	Alexa, decrease [Hood Name] Fan Speed	Diminuez la vitesse du ventilateur sur la hotte
	Alexa, set [Hood Name] Fan Speed to [1-6]	Réglez la hotte à une vitesse de ventilateur spécifique
	Alexa, set [Hood Name] Fan Speed to Maximum	Réglez la vitesse du ventilateur à 6 sur la hotte
	Alexa, set [Hood Name] Fan Speed to Minimum	Réglez la vitesse du ventilateur sur 1 sur la hotte
Lumière	Alexa, turn on [Hood Name] Light	Allumez la lumière sur la hotte
	Alexa, turn off [Hood Name] Light	Éteignez la lumière de la hotte
	Alexa, increase [Hood Name] Light(s)	Augmenter le niveau d'éclairage sur la hotte
	Alexa, decrease [Hood Name] Light(s)	Diminuer le niveau d'éclairage sur la hotte
	Alexa, set [Hood Name] Light(s) to High	Réglez le niveau d'éclairage sur Élevé sur la hotte
	Alexa, set [Hood Name] Light(s) to Bright	Réglez le niveau d'éclairage sur Élevé sur la hotte
	Alexa, set [Hood Name] Light(s) to Low	Réglez le niveau d'éclairage sur Faible sur la hotte
	Alexa, set [Hood Name] Light(s) to Dim	Réglez le niveau d'éclairage sur Faible sur la hotte
Délai d'arrêt	Alexa, set delay time to 1 minute on [Hood Name]	Activer le temporisateur de 1 à 10 minutes. Après 1 à 10 minutes, la hotte sera mise hors tension.
	Alexa, set delay time to 2-10 minutes on [Hood Name]	Activer le temporisateur de 1 à 10 minutes. Après 1 à 10 minutes, la hotte sera mise hors tension.
	Alexa, [Start/Enable] [Hood Name] Delay Off Timer	Activer la minuterie d'arrêt pendant 10 minutes. Après 10 minutes, la hotte s'éteint.
	Alexa, [Stop/Disable] [Hood Name] Delay Off Timer	Désactiver le temporisateur d'arrêt

Type de contrôle	Commande vocale Google Home	La description
Puissance	Hey Google, turn on [Hood Name]	Allumez la hotte
	Hey Google, turn off [Hood Name]	Coupez l'alimentation de la hotte
Ventilateur	Hey Google, increase [Hood Name] speed	Augmenter la vitesse du ventilateur sur la hotte
	Hey Google, decrease [Hood Name] speed	Diminuez la vitesse du ventilateur sur la hotte
	Hey Google, set [Hood Name] to speed [1-6]	Réglez la hotte à une vitesse de ventilateur spécifique
	Hey Google, set [Hood Name] to maximum speed	Réglez la vitesse du ventilateur au maximum sur la hotte
	Hey Google, set [Hood Name] to minimum speed	Réglez la vitesse du ventilateur au minimum sur la hotte
Lumière	Hey Google, turn on [Hood Name] light(s)	Allumez la lumière sur la hotte
	Hey Google, turn off [Hood Name] light(s)	Éteignez la lumière de la hotte
	Hey Google, set [Hood Name] light(s) to High	Réglez le niveau d'éclairage sur Élevé sur la hotte
	Hey Google, set [Hood Name] light(s) to Bright	Réglez le niveau d'éclairage sur Élevé sur la hotte
	Hey Google, set [Hood Name] light(s) to Low	Réglez le niveau d'éclairage sur Faible sur la hotte
	Hey Google, set [Hood Name] light(s) to Dim	Réglez le niveau d'éclairage sur Faible sur la hotte
	Hey Google, set [Hood Name] light(s) to 1-3	Réglez la hotte à un niveau d'éclairage spécifique
Délai d'arrêt	Hey Google, Run [Hood Name] for 1-10 minutes	Activer le temporisateur de 1 à 10 minutes. Après 1 à 10 minutes, la hotte sera mise hors tension.
	Hey Google, Start 1-10 minute timer on [Hood Name]	Activer le temporisateur de 1 à 10 minutes. Après 1 à 10 minutes, la hotte sera mise hors tension.
Délai d'arrêt	Hey Google, Stop [Hood Name] timer	Désactiver la minuterie de retard
	Hey Google, Cancel [Hood Name] timer	Désactiver la minuterie de retard

Télécommande RF


Pour commander la télécommande RF, la référence est 14000005. Le fil bleu de l'antenne doit être rallongé pour un signal optimal. Déroulez le fil d'antenne et placez-le derrière le couvercle du conduit. Il n'a pas besoin d'être sécurisé.

Mise en garde de la FCC

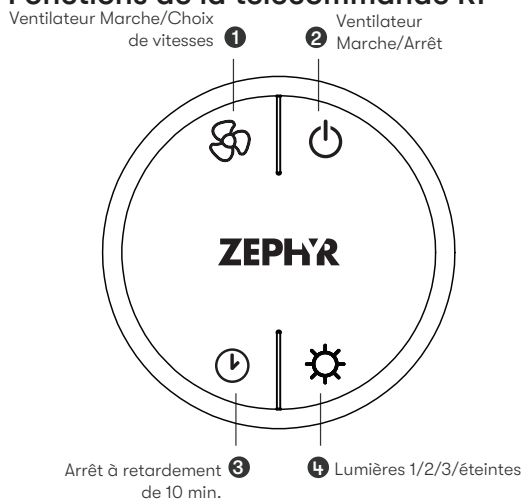
Pour assurer une conformité continue, tout changement ou modification non expressément approuvé par la partie responsable de la conformité pourrait annuler l'autorité de l'utilisateur à utiliser cet équipement. (Exemple - n'utilisez que des câbles d'interface blindés lors de la connexion à un ordinateur ou à un périphérique. Cet appareil est conforme à la partie 15 des règles de la FCC. Son fonctionnement est soumis aux deux conditions suivantes. (1) Cet appareil ne doit pas provoquer d'interférences nuisibles, et (2) Cet appareil doit accepter toute interférence reçue, y compris les interférences pouvant provoquer un fonctionnement indésirable.

Synchronisation


Pour créer un lien unique entre votre hotte et votre télécommande, veuillez suivre ces étapes.

1. Avec la hotte et les lumières éteintes, appuyez et maintenez enfoncé le bouton d'éclairage sur la hotte pendant 3 secondes jusqu'à ce que les voyants lumineux de la hotte commencent à clignoter lentement.
2. Appuyez  de la télécommande et la télécommande sera synchronisée avec la hotte.


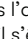
Fonctions de la télécommande RF



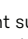
1 Ventilateur Allumer/Choix de vitesses

Appuyez sur  pour mettre le ventilateur en marche et choisir l'une des 3 vitesses de fonctionnement.


2 Ventilateur Marche/Arrêt

Appuyez sur  pour allumer le ventilateur à la vitesse à laquelle il fonctionnait lorsque vous l'avez éteint. Appuyez de nouveau sur  et toutes les fonctions de l'appareil s'éteignent, y compris les lumières.


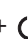



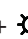


3 Arrêt à retardement

En appuyant sur , le ventilateur et les lumières passeront en mode d'arrêt automatique. L'icône de l'horloge s'allumera et les commandes s'allumeront « Auto-Off ». Le ventilateur passera à la vitesse 1 et une minuterie de 10 minutes commencera le compte à rebours.

4 Lumières 1/2/3/éteintes

Basculez entre les niveaux d'éclairage en appuyant sur . Éteignez les lumières en parcourant les différents niveaux d'éclairage.

Fonctions supplémentaires

1.  + : Réinitialiser le rappel du filtre à graisse propre
2.  + : Réinitialiser le rappel de remplacement du filtre à charbon
3.  + : Activer/désactiver le mode air pur
4.  + : Activer/désactiver le mode d'appairage Bluetooth®

Fonctionnalités et commandes

Télécommande RF

Fonctionnalités de la télécommande RF

La télécommande RF est équipée d'un aimant à l'arrière pour un rangement facile. La télécommande peut être placée sur n'importe quelle surface magnétique telle qu'un réfrigérateur ou le support de télécommande Zephyr, FIG. U. Le support de télécommande peut être inséré dans une prise électrique standard pour un rangement facile. Remarque : le support de télécommande ne charge pas la télécommande RF.

La distance de communication maximale de la télécommande est de 15 pieds de la hotte.

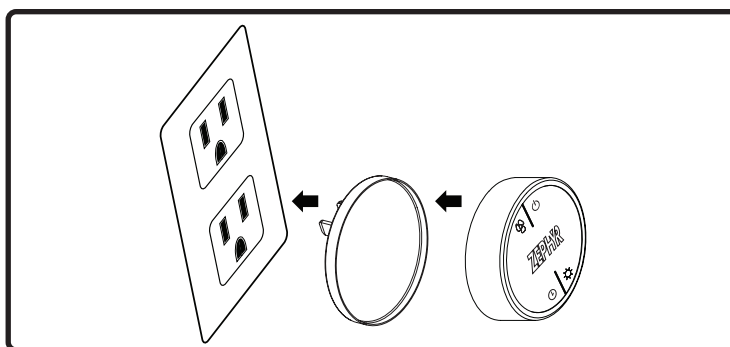


FIG. U

Télmaintenance RF

Nettoyez la télécommande avec des détergents non abrasifs.

Suivez les instructions ci-dessous pour remplacer la batterie. À l'aide d'un petit tournevis à tête plate, soulevez le couvercle de la trappe à piles (A) afin d'accéder au compartiment à piles. FIG. V.

Retirez la batterie et remplacez-la par une batterie de type A23 12V. L'extrémité négative de la pile doit faire face au ressort à l'intérieur de la télécommande.

Réinstallez le couvercle de la batterie et recyclez l'ancienne batterie.

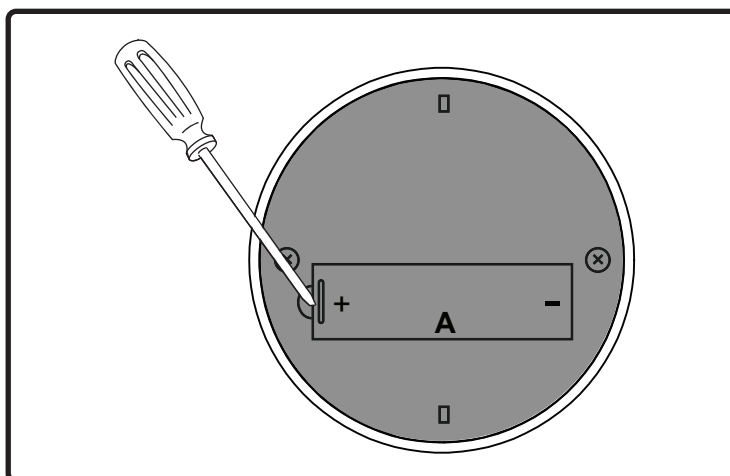


FIG. V

Nettoyage de la hotte et du filtre à graisse

Entretien de surface

- ▶ N'utilisez pas de détergents corrosifs, de détergents abrasifs ou de nettoyeurs pour four.
- ▶ N'utilisez aucun produit contenant un agent de blanchiment chloré ou un produit contenant du chlorure.
- ▶ N'utilisez pas de laine d'acier ou de tampons à récurer abrasifs qui pourraient rayer et endommager la surface.

Nettoyage du panneau en acier inoxydable

Nettoyez périodiquement avec de l'eau chaude savonneuse et un chiffon en coton propre ou un chiffon en microfibres. Frottez toujours dans le sens du grain de l'acier inoxydable. Pour éliminer les accumulations de graisse plus lourdes, utilisez un détergent dégraissant liquide.

Après le nettoyage, utilisez un produit de polissage / nettoyant pour acier inoxydable non abrasif pour polir et polir le lustre et le grain de l'acier inoxydable. Frottez toujours légèrement avec un chiffon en coton propre ou en microfibres et polissez dans le sens du grain de l'acier inoxydable.

Nettoyage du filtre à graisse

Le filtre à graisse installé en usine est destiné à filtrer les résidus et les graisses de cuisson. Ils n'ont pas besoin d'être remplacés régulièrement mais doivent être maintenus propres.

Retirer et nettoyer à la main ou au lave-vaisselle avec un détergent sans phosphate. Une décoloration du filtre à graisse peut se produire si vous utilisez des détergents phosphatés ou en raison des conditions locales de l'eau - mais cela n'affectera pas les performances du filtre. Cette décoloration n'est pas couverte par la garantie. Vaporiser un détergent dégraissant et laisser tremper s'il est très sale. Séchez le filtre à graisse et réinstallez-le avant d'utiliser hotte.

Entretien

Retrait et installation du filtre à graisse (FIG. W)

REMARQUES: Avant utilisation, retirez le film protecteur du cadre du filtre.

1. Pour retirer le filtre à mailles en aluminium, tirez sur la languette du loquet pour dégager le filtre de la hotte.
2. Inclinez le filtre vers le bas et retirez-le.
1. Pour installer le filtre à mailles en aluminium, alignez les languettes arrière du filtre avec les fentes du capot. Tirez la languette du loquet vers le bas. Poussez le filtre en place et relâchez la languette.
2. Assurez-vous que le filtre est bien enclenché après l'installation.

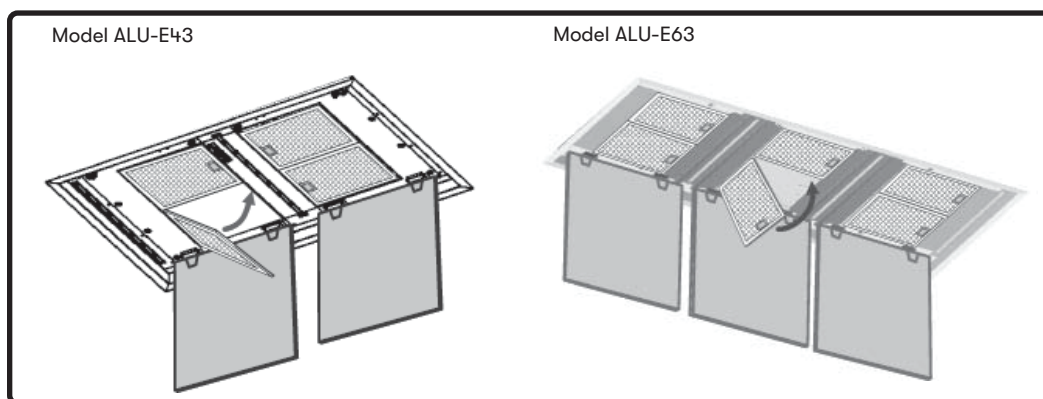


FIG. W

Modèle: ALU-E43CSX
ALU-E43CWX

Voltage: 120V 60Hz

Consommation d'énergie

Total:Max. 155W @ 1.8A (CBI-290C)

Max. 340W @ 3.1A (CBI-600A)

Max. 780W @ 6.8A (PBI-1100B)

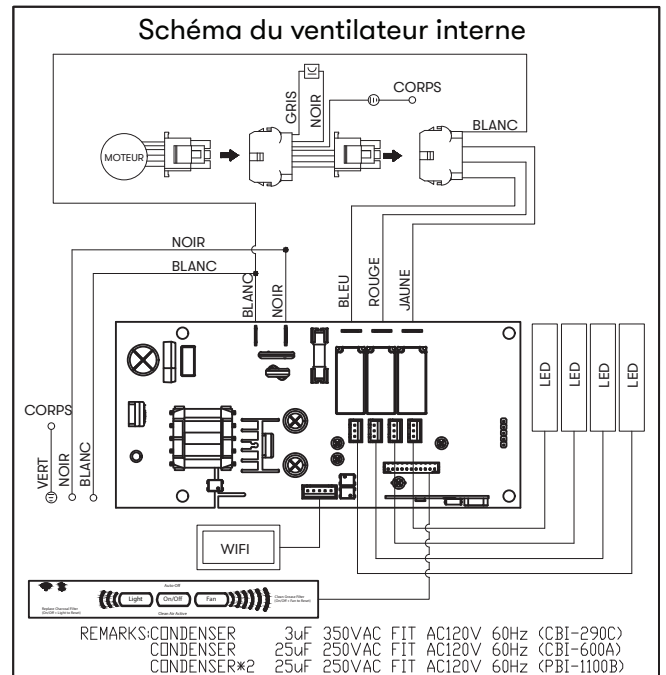
Ventilateur: 125W (CBI-290C)

310W (CBI-600A)

750W (PBI-1100B)

Lampe: Max.10w*3

PROTÉGÉ THERMIQUEMENT
Pour usage résidentiel seulement



Modèle: ALU-E43CSX
ALU-E43CWX

Voltage: 120V 60Hz

Consommation d'énergie

Total:Max. 730W @ 6.8A (CBE-1000)

Max. 640W @ 5.5A (PBN-1000A)

Ventilateur: 700W (CBE-1000)

610W (PBN-1000A)

Lampe: Max.10w*3

PROTÉGÉ THERMIQUEMENT
Pour usage résidentiel seulement

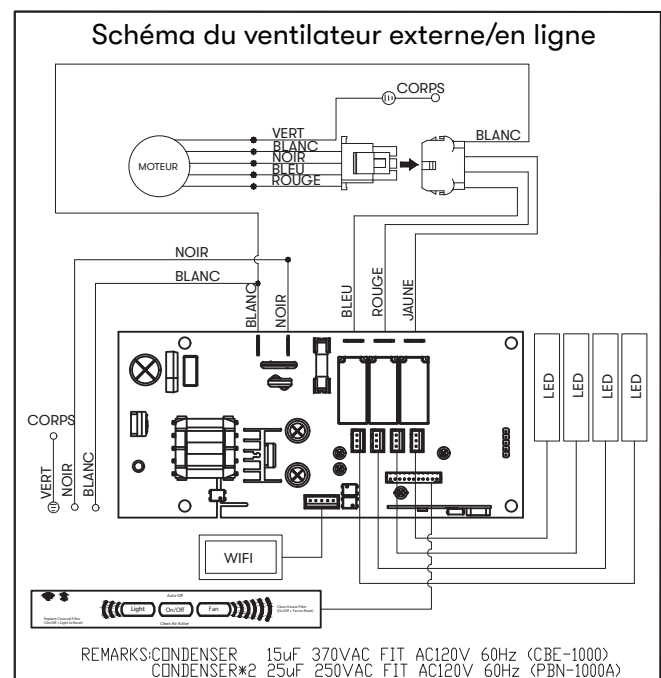


Schéma de câblage

Modèle: ALU-E63CSX
ALU-E63CWX

Voltage: 120V 60Hz

Consommation d'énergie

Total: Max. 165W @ 1.8A (CBI-290C)

Max. 350W @ 3.1A (CBI-600A)

Max. 790W @ 6.8A (PBI-1100B)

Ventilateur: 125W (CBI-290C)

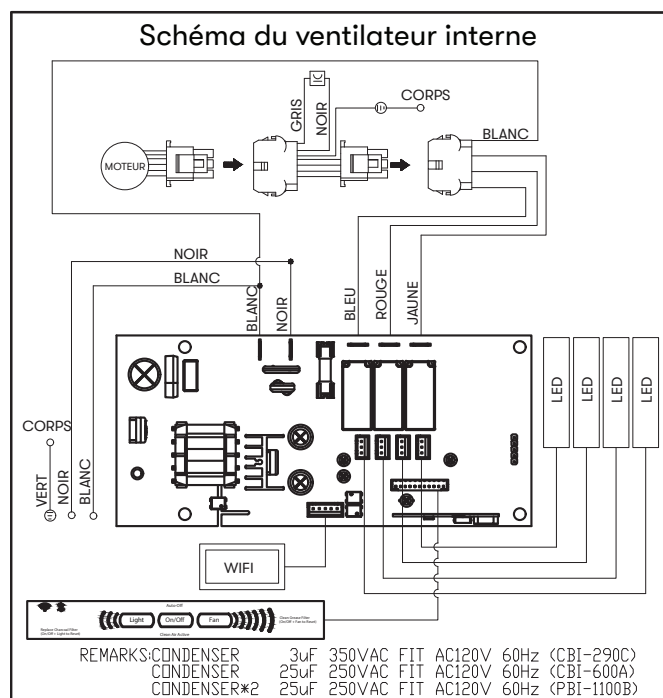
310W (CBI-600A)

750W (PBI-1100B)

Lampe: Max. 10w*4

PROTÉGÉ THERMIQUEMENT

Pour usage résidentiel seulement



Modèle: ALU-E63CSX
ALU-E63CWX

Voltage: 120V 60Hz

Consommation d'énergie

Total: Max. 740W @ 6.8A (CBE-1000)

Max. 650W @ 5.5A (PBN-1000A)

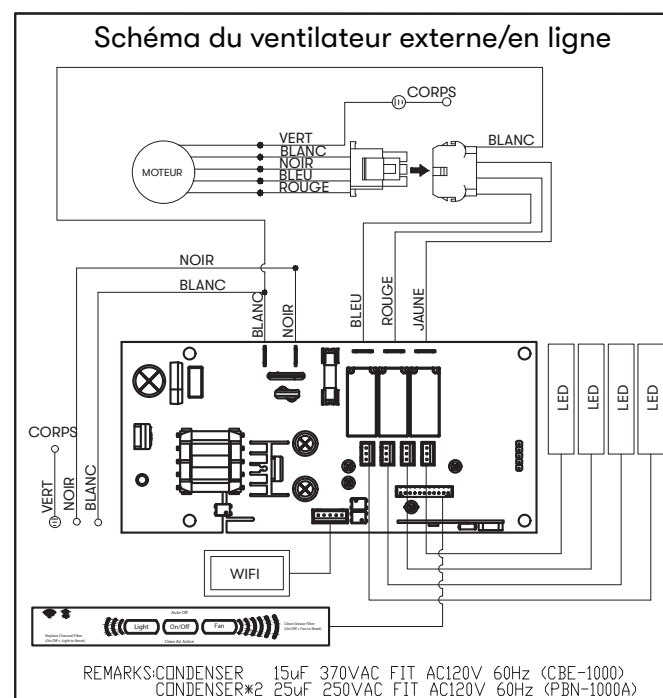
Ventilateur: 700W (CBE-1000)

610W (PBN-1000A)

Lampe: Max. 10w*4

PROTÉGÉ THERMIQUEMENT

Pour usage résidentiel seulement



Problème possible	Cause possible	Solutions
Après l'installation, l'appareil ne fonctionne pas.	La source d'alimentation n'est pas allumée.	Assurez-vous que le disjoncteur et l'alimentation de l'unité sont allumés.
	La ligne électrique et le connecteur de verrouillage du câble ne se connectent pas correctement.	Vérifiez que la connexion d'alimentation avec l'unité est correctement connectée.
	Les câblages du tableau de commande et du tableau de commande sont déconnectés.	Assurez-vous que les câblages entre le tableau de commutation et le tableau de commande sont correctement connectés.
	Le tableau de commande ou le tableau de commande est défectueux.	Changer le tableau de commande ou le tableau de commande.
La lumière fonctionne, mais le ventilateur ne tourne pas.	Le faisceau de câbles du ventilateur externe ou interne est peut-être déconnecté.	Assurez-vous que les fils sont connectés au boîtier du tableau de commande.
	Le système de protection thermique détecte si le ventilateur est trop chaud pour fonctionner et arrête le ventilateur.	Le ventilateur fonctionnera correctement après le refroidissement du système de protection thermique.
	Condensateur endommagé.	Changer le condensateur.
	La broche de la prise molex du ventilateur n'établit pas de contact.	Débranchez la prise molex du ventilateur, vérifiez les broches à l'intérieur de la prise pour voir si la broche est enfoncée trop loin à l'intérieur de la prise. Réinitialiser la broche si nécessaire.
	Le ventilateur est défectueux, éventuellement grippé.	Changer le souffleur.
L'appareil vibre.	Le ventilateur n'est pas fixé en place.	Serrez le ventilateur en place.
	Roue de soufflante endommagée.	Remplacez le ventilateur.
	Le capot n'est pas fixé en place.	Vérifiez l'installation de la hotte.
L'appareil siffle.	Un filtre n'est pas dans la bonne position.	Ajustez les filtres jusqu'à ce que le sifflement s'arrête.
	Les raccords des tuyaux de conduit ne sont pas scellés ou connectés correctement.	Vérifiez les connexions des tuyaux de conduit pour vous assurer que toutes les connexions sont correctement scellées.

Dépannage

Problème possible	Cause possible	Solutions
La hotte ne s'évacue pas correctement.	Utiliser la mauvaise taille de conduit.	Changez le conduit à au moins 6 po ou plus pour le ventilateur interne et 8 po ou plus pour le ventilateur externe.
	La hotte peut être suspendue trop haut à la table de cuisson.	Ajustez la distance entre la table de cuisson et le bas de la hotte dans une plage de 30 po et 72 po.
	Le vent provenant des fenêtres ouvertes ou des portes ouvertes dans la zone environnante affecte la ventilation de la hotte.	Fermez toutes les fenêtres et portes pour éliminer le flux de vent extérieur.
	Blocage dans l'ouverture du conduit ou dans le réseau de conduits.	Retirez tous les blocages des conduits ou de l'ouverture des conduits.
	Il y a trop de tours dans le conduit.	Limitez le nombre de tours et/ou augmentez la taille du conduit.
Le filtre vibre.	Le filtre est lâche.	Ajustez ou changez le filtre.
La télécommande RF ne fonctionne pas.	La batterie est morte.	Remplacez la batterie par du type A23 12v.
	Mauvaise communication avec la hotte.	La télécommande doit être à moins de 15 pi de la hotte.
	La télécommande RF a perdu la communication avec la hotte.	Réinitialiser la hotte et la télécommande en coupant le courant au disjoncteur pendant 5 minutes. Placez la télécommande sur le comptoir près de la hotte et remettez le disjoncteur en marche.
La hotte et l'appareil de l'utilisateur ne seront pas couplés via Bluetooth®.	Bluetooth® n'est pas activé sur le téléphone de l'utilisateur.	Activez Bluetooth® sur le téléphone de l'utilisateur.
	Le téléphone de l'utilisateur est peut-être hors de portée.	Rapprochez-vous de la hotte.
	L'utilisateur n'a pas saisi le code Bluetooth® pour réussir le couplage.	Entrez le code d'appairage, 123456.
	La hotte n'est pas en mode d'appairage Bluetooth®.	Maintenez et appuyez sur Fan pendant 3 secondes pendant que la hotte et les lumières sont éteintes pour mettre la hotte en mode d'appairage.
	Plusieurs erreurs empêchent le téléphone de l'utilisateur de s'associer à la hotte.	Redémarrez le téléphone de l'utilisateur et réessayez.

Problème possible	Cause possible	Solutions
Le ventilateur fonctionne, mais pas les lumières.	Le connecteur de la lumière LED est déconnecté.	Connectez le connecteur de la lumière LED.
	Lumière LED défectueuse.	Changer la lumière LED.
La hotte ne se connecte pas au Wi-Fi.	Le routeur ou le modem de l'utilisateur est désactivé.	Allumez le routeur ou le modem.
	Le routeur de l'utilisateur est connecté à une fréquence sans fil de 5 GHz.	Connectez-vous à la bande 2,4 GHz et essayez de vous reconnecter.
	Les câbles coaxiaux de l'utilisateur sont desserrés.	Serrez les câbles coaxiaux se connectant au routeur ou au modem.
	Le Wi-Fi sur le téléphone de l'utilisateur est désactivé.	Activez le Wi-Fi sur le téléphone.
	L'utilisateur se connecte au mauvais réseau Wi-Fi.	Vérifiez que le bon réseau Wi-Fi est connecté. Le nom / SSID du réseau Wi-Fi par défaut se trouve sur le routeur.
	La hotte n'est pas à portée de la connexion Wi-Fi.	Rapprochez le routeur et le modem de la hotte pour augmenter la puissance de la connexion.
	Des obstacles bloquent la force du signal Wi-Fi.	Rapprochez le routeur et le modem de la hotte ou déplacez les objets qui bloquent directement le chemin vers la hotte. Les murs peuvent réduire la puissance du signal.
L'utilisateur ne peut pas modifier les connexions Wi-Fi.	La hotte et le téléphone de l'utilisateur sont déjà connectés.	Entrez les paramètres Bluetooth® et oubliez l'appareil pour réinitialiser le processus sur le téléphone.
Impossible de lier la hotte à mon compte Zephyr Connect.	Un seul compte Zephyr Connect peut être lié au capot.	Connectez-vous en utilisant le compte Zephyr Connect qui est déjà lié au capot. Plusieurs appareils peuvent se connecter en utilisant le même compte.
L'application Zephyr Connect n'enregistre pas les entrées des utilisateurs.	Le Wi-Fi est instable et la hotte peut s'être déconnectée.	Assurez-vous que le routeur et le modem sont tous deux allumés. Laissez la hotte se reconnecter.
	La hotte éprouve des difficultés à se connecter au téléphone de l'utilisateur.	Vérifiez la connexion Wi-Fi et redémarrez l'application.
L'application Zephyr Connect est bloquée sur «Chargement».	Le Wi-Fi est instable et la hotte peut s'être déconnectée.	Assurez-vous que le routeur et le modem sont tous deux allumés. Laissez la hotte se reconnecter.
	La hotte éprouve des difficultés à se connecter au téléphone de l'utilisateur.	Vérifiez la connexion Wi-Fi et redémarrez l'application.

Liste des pièces et accessoires

La description	Numéro d'article
Pièces de rechange	
Filtre à mailles en aluminium (chacun)	50200046
Filtre à charbon de rechange	Z0F-C002
Bande lumineuse LED, 10W	Z0B-0044
Télécommande RF	14000005
Télécommande RF Batterie A23 12V	15000007
Accessoires optionnels	
Rallonge de couvercle de conduit	ZRC-01LX
Ventilateur interne simple	CBI-290C / CBI-600A
Ventilateur interne double	PBI-1100B
Ventilateur externe	CBE-1000
Ventilateur en ligne	PBN-1000A

Pour commander des pièces, visitez-nous en ligne à <http://store.zephyronline.com>.

POUR OBTENIR UN SERVICE SOUS GARANTIE OU POUR TOUTES QUESTIONS LIÉES AU SERVICE

Les clients des États-Unis doivent appeler le: 1-888-880-8368 ou nous contacter à: zephyronline.com/contact

Clients du Canada, veuillez appeler: 1-888-812-8311 ou par courriel: ven-tech@broan.com

Zephyr Ventilation, LLC (désigné aux présentes sous le nom de « nous ») garantit au premier acheteur (désigné aux présentes sous le nom de « vous » ou « votre ») de produits Zephyr (les « Produits ») que lesdits produits sont exempts de défauts de fabrication ou de main-d'œuvre selon les conditions suivantes :

Garantie limitée d'un an sur les pièces : Garantie de d'un an à partir de la date d'achat originale du Produit. Nous fournirons sans frais les Produits ou les pièces (y compris les ampoules LED, le cas échéant) de remplacement qui comportaient des défauts de fabrication. Nous pourrions choisir, à notre seule discrétion, de réparer ou de remplacer des pièces avant de prendre la décision de remplacer le Produit.

Garantie limitée d'un an sur la main-d'œuvre : Garantie d'un an à partir de la date d'achat originale du Produit. Nous couvrirons sans frais les frais de main-d'œuvre afférents à la réparation du Produit ou des pièces de remplacement qui comportaient des défauts de fabrication. Un an après la date d'achat originale, vous serez responsable de tous les frais de main-d'œuvre associés à la présente garantie.

Exclusions de la garantie : Cette garantie ne couvre que la réparation ou le remplacement, à notre gré, de pièces ou de Produits défectueux et ne couvre aucun autre coût afférent aux Produits, dont, sans s'y limiter, les frais liés : (a) à l'entretien normal des Produits et au remplacement des pièces consommables, comme les fluorescent, incandescence ou halogèneampoules, les filtres métalliques, les filtres à charbon et les fusibles; (b) à tout Produit ou pièce ayant été endommagé durant le transport ou étant le résultat d'un mauvais usage, d'une négligence, d'un accident, d'une installation incorrecte ou ne respectant pas les notices d'installation recommandées, d'un entretien ou d'une réparation inapproprié (dont ne nous sommes pas responsables); (c) à une utilisation commerciale ou ne correspondant pas à l'utilisation pour laquelle les Produits sont conçus; (d) à l'usure naturelle du fini, à l'usure due à un entretien inadéquat, à l'utilisation de produits nettoyants corrosifs ou abrasifs, de tampons nettoyeurs et de produits de nettoyage pour le four; (e) aux éclats, entailles ou fissures résultant d'un abus ou d'une mauvaise utilisation du Produit; (f) aux déplacements d'un technicien de service à votre domicile pour vous montrer comment utiliser les Produits; (g) aux dommages causés par un accident, un incendie, une inondation, un cas fortuit; ou (h) Les installations personnalisées ou modifications qui ont un impact maintenable du Produit. Si vous vous trouvez à l'extérieur du territoire que nous desservons, des frais supplémentaires pourraient s'appliquer pour la livraison des produits à nos points de service désignés pour une réparation sous garantie ou vous pourriez avoir à déboursier les frais de déplacement du technicien à votre domicile pour que le Produit soit réparé, enlevé ou réinstallé. Un an après la date d'achat originale du Produit, vous êtes également responsable de tous les frais de main-d'œuvre associés à la présente garantie.

Restrictions de la garantie. NOTRE OBLIGATION DE RÉPARER OU DE REMPLACER, À NOTRE GRÉ, LE PRODUIT CONSTITUE VOTRE SEUL ET UNIQUE RECOURS SOUS LA PRÉSENTE GARANTIE. NOUS NE NOUS PORTONS PAS RESPONSABLES POUR TOUT DOMMAGE INDIRECT, ACCESSOIRE OU PARTICULIER RÉSULTANT OU AYANT UN LIEN AVEC L'UTILISATION OU LE RENDEMENT DES PRODUITS. LES GARANTIES EXPRESSES DE LA SECTION PRÉCÉDENTE SONT EXCLUSIVES ET TIENNENT LIEU DE TOUTE AUTRE GARANTIE EXPRESSE. PAR LES PRÉSENTES, NOUS REJETONS ET EXCLUONS TOUTE AUTRE GARANTIE EXPRESSE POUR LES PRODUITS ET TOUTES LES GARANTIES TACITES PRÉVUES PAR LA LOI, DONT CELLES RELATIVES À LA QUALITÉ MARCHANDE OU À L'ADÉQUATION DU PRODUIT POUR UNE UTILISATION PARTICULIÈRE. Certains États ou provinces n'autorisent pas les restrictions sur la durée d'une garantie implicite ou l'exclusion ou la restriction des dommages indirects ou accessoires; par conséquent, les exclusions et restrictions mentionnées ci-dessus pourraient ne pas s'appliquer à votre cas. Dans la mesure où une loi applicable interdit l'exclusion de garanties implicites, la durée de toute garantie implicite applicable se limite à la période de deux ans décrite ci-dessus. L'unique objectif de toute description orale ou écrite est de présenter les Produits et celle-ci ne devrait pas être interprétée comme une garantie expresse. Avant d'utiliser ou de permettre l'utilisation des Produits, vous devrez déterminer si les Produits conviennent aux utilisations prévues et vous devrez assumer tout risque et toute responsabilité relatifs à ces utilisations. Nous nous réservons le droit d'utiliser des pièces reconstruites ou remises à neuf pour remplacer l'une des fonctionnalités dans le cadre de la présente garantie ou de l'une des parties de la présente garantie. L'acheteur original ne peut transférer la présente garantie et celle-ci n'est valide qu'aux États-Unis et au Canada.

Pour obtenir du service sous la garantie : Pour avoir droit à du service sous garantie, vous devez : (a) nous avertir en utilisant l'adresse ou le numéro de téléphone inscrit ci-dessous dans les soixante jours suivant la détection du défaut; (b) donner le numéro du modèle, le numéro d'identification de la pièce ainsi que le numéro de série; et (c) décrire la nature de tout défaut de la pièce ou du Produit. Au moment de faire la demande de service sous garantie, vous devrez présenter votre preuve d'achat et la preuve de la date d'achat originale. Si nous déterminons que les exclusions de la garantie énumérées ci-dessus s'appliquent ou si vous vous trouvez dans l'incapacité de nous fournir la documentation nécessaire pour obtenir du service, vous serez responsable de tous les frais d'expédition, de déplacement, de main-d'œuvre ou de tout autre coût afférent au service.

Veuillez consulter notre site Web au www.zephyronline.com pour savoir si des révisions ont été apportées à la garantie.

Zephyr, 2277 Harbor Bay Parkway, Alameda, CA 94502

SEP25.0601

Enregistrement du produit

Nous vous félicitons d'avoir acheté un produit Zephyr. Veuillez prendre un moment pour enregistrer votre nouveau produit au www.zephyronline.com/registration

C'EST IMPORTANT

Cet enregistrement rapide est utile à bien des égards.

- Il assure la couverture de votre garantie si vous avez besoin de service après-vente.
- À des fins d'assurance, il permet de confirmer que vous êtes le propriétaire.
- Il vous permet de recevoir des avis concernant des modifications ou des rappels de produits.



Zephyr Ventilation | 2277 Harbor Bay Pkwy. | Alameda, CA 94502 | 1.888.880.8368